

Hour meters / timers, electromechanical

Timers with DIN dimensions **DIN counters for panel mount, 48 x 24 mm (AC+DC)** **H37**



The hour meters H37 feature a very high shock resistance. These panel mount counters with standard DIN dimensions can be used in many different fields of application. These non-resettable counters are extremely tamper-proof.

Characteristics

- 7- or 8-digit hour meter.
- Without reset, high shock resistance.
- Small dimensions, magnified large figures.
- Protection IP65 on the front side.
- Panel mount counter with integrated spring clip (H37.4).
- UL-approved.

Benefits

- 5 years guarantee. ¹⁾
- High reliability: for a better sale of your final product.
- Data retention in case of power failure.
- Long service life.

Applications

General time measurement, maintenance intervals for measuring instruments (respiration units, oxygen, dialysis), small appliances, UV lamps, display panels in vehicles.

Type series

Description	Mounting	Panel cut-out	Type
Standard DIN counter for panel mount	mounting clip, on rear	45 x 22 [1.77 x 0.91"]	H37
Standard DIN counter for panel mount	2 mounting holes	50 x 25 [1.97 x 0.98"]	H37.1
Standard DIN counter for panel mount	mounting clip, on rear	50 x 25 [1.97 x 0.98"]	H37.2
Standard DIN counter for panel mount	mounting clip, on rear	45 x 22 [1.77 x 0.91"]	H37.5

Dual function timer
48 x 48 mm [1.89 x 1.89"] on request

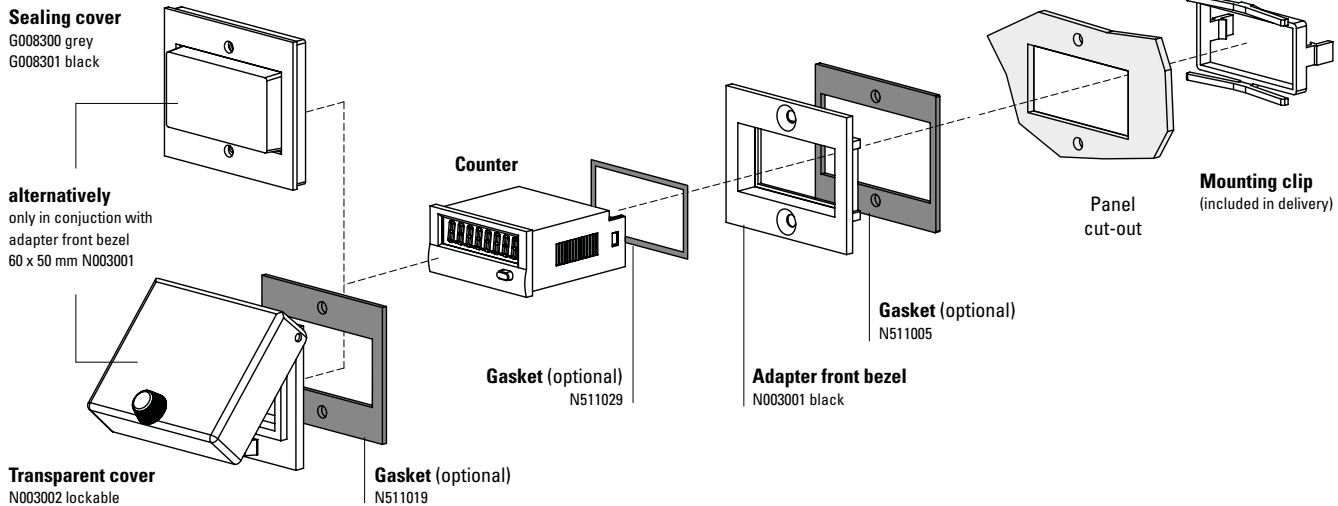


1) When used as specified in the technical data

Hour meters / timers, electromechanical

Timers with DIN dimensions DIN counters for panel mount, 48 x 24 mm (AC+DC) H37

Accessories / Mounting examples



		Type / size	Description		Order no.	suitable gasket
Adapter front bezel (only for H37 + H37.5)		53 x 28 mm [2.09 x 1.10"]	for cut-out 50 x 25 mm [1.97 x 0.98"] to cut-out 45 x 22.2 mm [1.77 x 0.94"]	black anthracite	T008165 T008180	N511015
		56 x 40 mm [2.20 x 1.57"]	for cut-out 50 x 25 mm [1.97 x 0.98"] to cut-out 45 x 22.2 mm [1.77 x 0.94"] screw mounting	black anthracite	T008161 T008181	N511045
		72 x 36 mm [2.83 x 1.42"]	for cut-out 68 x 33 mm [2.68 x 1.30"] to cut-out 45 x 22.2 mm [1.77 x 0.94"]	black and silver anodised as set	162704Set	–
		60 x 50 mm [2.36 x 1.97"]	for cut-out 54 x 29 mm [2.13 x 1.14"] to cut-out 45 x 22.2 mm [1.77 x 0.94"] screw mounting	black	N003001	N511005
		48 x 48 mm [1.89 x 1.89"]	for cut-out 45 x 45 mm [1.77 x 1.77"] to cut-out 45 x 22.2 mm [1.77 x 0.94"]	black	T008883	–
Sealing cover IP65 (only for H37 + H37.5)		K1	only in conjunction with adapter front bezel 60 x 50 mm N003001	transparent / grey transparent / black	G008300 G008301	–
Transparent cover IP65 (only for H37 + H37.5)		1 Dv (mounted on bezel)	cover lockable, for cut-out 54 x 29 mm [2.13 x 1.14"], only in conjunction with adapter front bezel 60 x 50 mm N003001	transparent / black	N003002	N511019
Gasket counter			48 x 24 mm (for installation in adapter front bezel) 49 x 25 mm 53 x 28 mm	H37 + H37.5 H37 + H37.5 H37.2	N511029 N511034 N511015	
Mounting frame (only for H37 + H37.5)		cut-out 50 x 25 mm [1.97 x 0.98"]	via adapter T008180 for snap-on mounting on 35 mm [1.38"] top-hat DIN rail	chromated	G300004	–
Terminal cover		KA 37	2-pcs. per counter required	transparent	T051687	–

Hour meters / timers, electromechanical

Timers with DIN dimensions	DIN counters for panel mount, 48 x 24 mm (AC+DC)	H37
-----------------------------------	---	------------

Technical data															
Electrical connection	screw terminals (tightening torque max. 0.8 Nm)														
Power consumption	<table style="width: 100%; border: none;"> <tr> <td style="width: 150px;">10 ... 30 V DC</td> <td>approx. 500 mW</td> </tr> <tr> <td>36 ... 80 V DC</td> <td>approx. 900 mW</td> </tr> <tr> <td>100 ... 130 V DC</td> <td>approx. 750 mW</td> </tr> <tr> <td>20 ... 30 V AC, 50 Hz</td> <td>approx. 0.3 VA</td> </tr> <tr> <td>42 ... 48 V AC, 50 Hz</td> <td>approx. 0.25 VA</td> </tr> <tr> <td>100 ... 130 V AC, 50 Hz</td> <td>approx. 0.6 VA</td> </tr> <tr> <td>187 ... 264 V AC, 50 Hz</td> <td>approx. 1.2 VA</td> </tr> </table>	10 ... 30 V DC	approx. 500 mW	36 ... 80 V DC	approx. 900 mW	100 ... 130 V DC	approx. 750 mW	20 ... 30 V AC, 50 Hz	approx. 0.3 VA	42 ... 48 V AC, 50 Hz	approx. 0.25 VA	100 ... 130 V AC, 50 Hz	approx. 0.6 VA	187 ... 264 V AC, 50 Hz	approx. 1.2 VA
10 ... 30 V DC	approx. 500 mW														
36 ... 80 V DC	approx. 900 mW														
100 ... 130 V DC	approx. 750 mW														
20 ... 30 V AC, 50 Hz	approx. 0.3 VA														
42 ... 48 V AC, 50 Hz	approx. 0.25 VA														
100 ... 130 V AC, 50 Hz	approx. 0.6 VA														
187 ... 264 V AC, 50 Hz	approx. 1.2 VA														
Rated voltages	<table style="width: 100%; border: none;"> <tr> <td style="width: 150px;">AC (50 or 60 Hz)</td> <td>20 ... 30 V, 42 ... 48 V, 100 ... 130 V, 187 ... 264 V</td> </tr> <tr> <td>DC</td> <td>10 ... 30 V, 36 ... 80 V, 100 ... 130 V</td> </tr> </table>	AC (50 or 60 Hz)	20 ... 30 V, 42 ... 48 V, 100 ... 130 V, 187 ... 264 V	DC	10 ... 30 V, 36 ... 80 V, 100 ... 130 V										
AC (50 or 60 Hz)	20 ... 30 V, 42 ... 48 V, 100 ... 130 V, 187 ... 264 V														
DC	10 ... 30 V, 36 ... 80 V, 100 ... 130 V														
On time	100 %														
Number of digits	<table style="width: 100%; border: none;"> <tr> <td style="width: 150px;">AC</td> <td>7 – 99999.99 h</td> </tr> <tr> <td>DC</td> <td>8 – 999999.99 h</td> </tr> </table>	AC	7 – 99999.99 h	DC	8 – 999999.99 h										
AC	7 – 99999.99 h														
DC	8 – 999999.99 h														
Resolution	0.01 h equals 36 s														
Height of figures	4 mm [0.16"]														
Color of figures	white and red on black														
Reset	no reset														
Operating temperature	-15 °C ... +50 °C [+5 °F ... +122 °F] (non-condensing)														
Storage temperature	-40 °C ... +85 °C [-40 °F ... +185 °F]														
Relative humidity at +30 °C [+86 °F]	≤ 80 % (non-condensing)														
Altitude	up to 2000 m [6562']														
Mounting position	any														
Protection	IP65 (front side) built in with gasket, (order gasket separately)														
Device safety	<table style="width: 100%; border: none;"> <tr> <td style="width: 150px;">designed to</td> <td>EN 61010 part 1</td> </tr> <tr> <td>protection class</td> <td>2</td> </tr> <tr> <td>application area</td> <td>pollution level 2</td> </tr> </table>	designed to	EN 61010 part 1	protection class	2	application area	pollution level 2								
designed to	EN 61010 part 1														
protection class	2														
application area	pollution level 2														
Housing	plastic PC (Polycarbonate) types with IP65 protection are sealed (potted)														
Accuracy	<table style="width: 100%; border: none;"> <tr> <td style="width: 150px;">AC</td> <td>supply frequency + 30 ms</td> </tr> <tr> <td>DC</td> <td>< 0.003 % (at 24 h)</td> </tr> </table>	AC	supply frequency + 30 ms	DC	< 0.003 % (at 24 h)										
AC	supply frequency + 30 ms														
DC	< 0.003 % (at 24 h)														
Weight	<table style="width: 100%; border: none;"> <tr> <td style="width: 150px;">H37</td> <td>approx. 50 g [1.76 oz]</td> </tr> <tr> <td>slip on bezel 37.1</td> <td>6 g [0.21 oz]</td> </tr> <tr> <td>slip on bezel 37.2</td> <td>2 g [0.07 oz]</td> </tr> </table>	H37	approx. 50 g [1.76 oz]	slip on bezel 37.1	6 g [0.21 oz]	slip on bezel 37.2	2 g [0.07 oz]								
H37	approx. 50 g [1.76 oz]														
slip on bezel 37.1	6 g [0.21 oz]														
slip on bezel 37.2	2 g [0.07 oz]														

Options							
Housing color	grey Art. no. 3.130.X50.XXX						
Electrical connection	<table style="width: 100%; border: none;"> <tr> <td style="width: 150px;">flat pin 0.8 x 6.3 mm [0.031 x 0.25"]</td> <td>Art.-No.: 3.24X.20X.XXX.011</td> </tr> <tr> <td>screw terminal with terminal cover</td> <td>Art.-No.: 3.24X.20X.XXX.456</td> </tr> <tr> <td>spring-type terminal</td> <td>on request</td> </tr> </table>	flat pin 0.8 x 6.3 mm [0.031 x 0.25"]	Art.-No.: 3.24X.20X.XXX.011	screw terminal with terminal cover	Art.-No.: 3.24X.20X.XXX.456	spring-type terminal	on request
flat pin 0.8 x 6.3 mm [0.031 x 0.25"]	Art.-No.: 3.24X.20X.XXX.011						
screw terminal with terminal cover	Art.-No.: 3.24X.20X.XXX.456						
spring-type terminal	on request						
360 - 440 V AC	on request						

Approvals	
UL compliant in accordance with	File no. E128604
CE compliant in accordance with	
EMC Directive	2014/30/EU
RoHS Directive	2011/65/EU
Low Voltage Directive	2014/35/EU

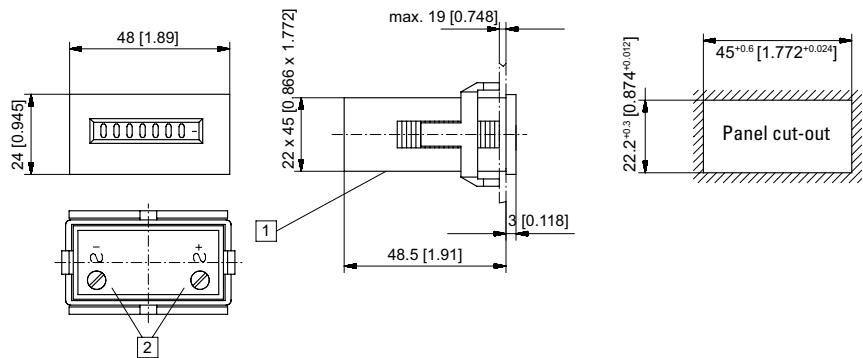
Hour meters / timers, electromechanical

Timers with DIN dimensions

DIN counters for panel mount, 48 x 24 mm (AC+DC)

H37

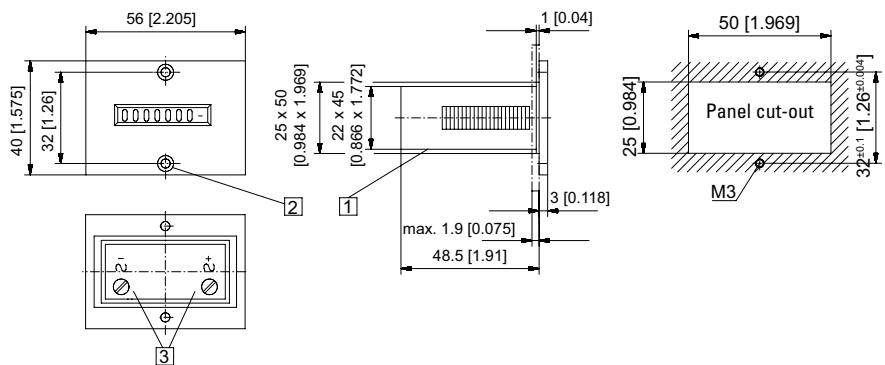
Mounting clip, on rear,
panel mount dimensions 45 x 22 [1.77 x 0.91]
Type H37



1 Wire entry 2 Screw terminal with flat pin 0.8 x 6.3 [0.031 x 0.25]

Type	Display	Voltage	Art. no.					
			10 ... 30 V	20 ... 30 V	36 ... 80 V	42 ... 48 V	100 ... 130 V	187 ... 264 V
H37	7 digits	AC (50 Hz)		3.240.201.071		3.240.201.072	3.240.201.074	3.240.201.075 ¹⁾
	7 digits	AC (60 Hz)		3.240.201.081		3.240.201.082	3.240.201.084	3.240.201.085
	8 digits	DC	3.240.201.351 ¹⁾		3.240.201.353		3.240.201.381	

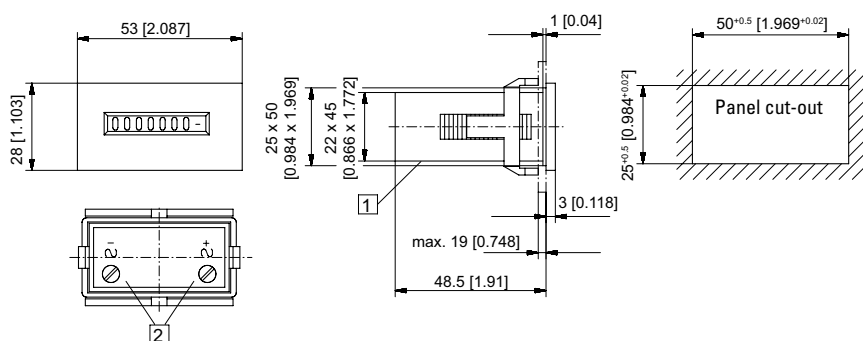
2 mounting holes,
panel mount dimensions 50 x 25 [1.97 x 0.98"]
Type H37.1



1 Wire entry 2 Countersinking Af3, DIN 74 3 Screw terminal with flat pin 0.8 x 6.3 [0.031 x 0.25]

Type	Display	Voltage	Art. no.					
			10 ... 30 V	20 ... 30 V	36 ... 80 V	42 ... 48 V	100 ... 130 V	187 ... 264 V
H37.1	7 digits	AC (50 Hz)		3.241.201.071		3.241.201.072	3.241.201.074	3.241.201.075
	7 digits	AC (60 Hz)		3.241.201.081		3.241.201.082	3.241.201.084	3.241.201.085
	8 digits	DC	3.241.201.351 ¹⁾		3.241.201.353		3.241.201.381	

Mounting clip, on rear,
panel mount dimensions 50 x 25 [1.97 x 0.98"]
Type H37.2



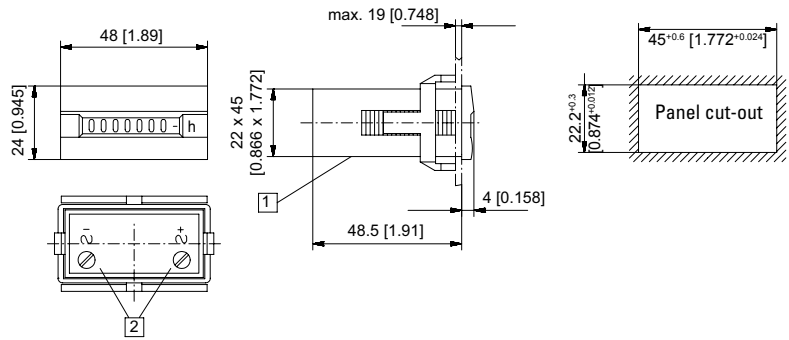
1 Wire entry 2 Screw terminal with flat pin 0.8 x 6.3 [0.031 x 0.25]

Type	Display	Voltage	Art. no.					
			10 ... 30 V	20 ... 30 V	36 ... 80 V	42 ... 48 V	100 ... 130 V	187 ... 264 V
H37.2	7 digits	AC (50 Hz)		3.242.201.071		3.242.201.072	3.242.201.074	3.242.201.075 ¹⁾
	7 digits	AC (60 Hz)		3.242.201.081		3.242.201.082	3.242.201.084	3.242.201.085
	8 digits	DC	3.242.201.351 ¹⁾		3.242.201.353		3.242.201.381	

Hour meters / timers, electromechanical

Timers with DIN dimensions **DIN counters for panel mount, 48 x 24 mm (AC+DC)** **H37**

DIN counter for panel mount
 mounting clip, on rear,
 panel mount dimensions 45 x 22 [1.77 x 0.91]
 Type H37.5



1) Wire entry 2) Screw terminal with flat pin 0.8 x 6.3 [0.031 x 0.25]

Type	Display	Voltage	Art. no.						
			10 ... 30 V	20 ... 30 V	36 ... 80 V	42 ... 48 V	100 ... 130 V	187 ... 264 V	
H37.5	7 digits	AC (50 Hz)		3.245.201.071		3.245.201.072	3.245.201.074	3.245.201.075 ¹⁾	
	7 digits	AC (60 Hz)		3.245.201.081		3.245.201.082	3.245.201.084	3.245.201.085	
	8 digits	DC	3.245.201.351 ¹⁾		3.245.201.353		3.245.201.381		