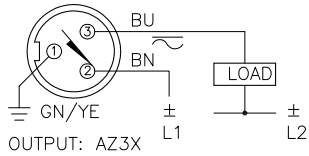
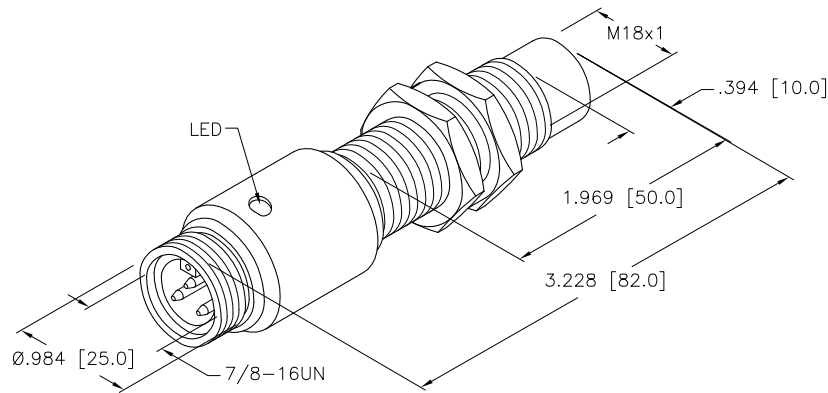


WIRING DIAGRAM



WARNING: NO SHORT-CIRCUIT PROTECTION.
ALWAYS WIRE A LOAD IN SERIES WITH THE SENSOR.



SPECIFICATIONS

OPERATING VOLTAGE	20-250 VAC, 10-300 VDC
LINE FREQUENCY	40-60 Hz
DIFFERENTIAL TRAVEL (HYSTERESIS)	3-15% (5% TYPICAL)
VOLTAGE DROP ACROSS CONDUCTING SENSOR	<7.0 V at FULL RATED CURRENT
OUTPUT FUNCTION	NORMALLY OPEN 2-WIRE AC/DC
SHORT-CIRCUIT PROTECTED	NO
CONTINUOUS LOAD CURRENT	AC: ≤400 mA; DC: ≤300 mA
OFF-STATE (LEAKAGE) CURRENT	<1.7 mA
MINIMUM LOAD CURRENT	≥ 5.0 mA
INRUSH CURRENT	≤ 8.0 A (≤10 ms, 5% DUTY CYCLE)
TIME DELAY BEFORE AVAILABILITY	≤ 25 ms
POWER-ON EFFECT	Per IEC 947-5-2
TRANSIENT PROTECTION	Per EN 60947-5-2
OPERATING TEMPERATURE	-25°C to +70°C (-13°F to +158°F)
ENCLOSURE	MEETS NEMA 1, 3, 4, 6, 13 AND IEC IP67
SHOCK	30 g, 11 ms
VIBRATION	55 Hz, 1 mm AMPLITUDE (IN ALL 3 PLANES)
LED FUNCTION	RED: OUTPUT ENERGIZED
RATED OPERATING DISTANCE(Sn)	10 mm = .394" (NOMINAL)
SWITCHING FREQUENCY	20 Hz
REPEATABILITY	≤ 2% OF RATED OPERATING DISTANCE
EMBEDDABLE (SHIELDED)	NO
MATING PLUGS/CABLES	3-PIN "MINIFAST" CONSTRUCTION
LOCKNUT M18x1	24.0 mm AF, 27.5 mm AC, 4.0 mm THK

SOURCE DRAWING - FOR REFERENCE ONLY

NOTE:
MATERIALS:

BARREL - CHROME PLATED BRASS
LOCKNUTS - CHROME PLATED BRASS
CONNECTOR - CHROME PLATED BRASS
SENSING FACE - PA12-GF30 PLASTIC

RELATED DOCUMENTS 1. 2. 3. 4.	3RD ANGLE PROJECTION 	THIS DRAWING IS PROPERTY OF TURCK INC. USE OF THIS DOCUMENT WITHOUT WRITTEN PERMISSION IS PROHIBITED.		3000 CAMPUS DRIVE MINNEAPOLIS, MN 55441 1-800-544-7769 (763) 553-7300 (763) 553-0708 fax turck.com	
	MATERIAL SEE NOTE	DRFT GMB	DATE 09/09/88	DESCRIPTION Ni10-G18-AZ3X-B1331 50 mm	
FINISH	ALL DIMENSIONS DISPLAYED ON THIS DRAWING ARE FOR REFERENCE ONLY	DSGN	SCALE 1=2.0	IDENTIFICATION NO. T4372100	REV B
CONTACT TURCK FOR MORE INFORMATION		UNIT OF MEASUREMENT INCH [MILLIMETER]		FILE: T4372100	
DO NOT SCALE THIS DRAWING		SHEET 1 OF 1			

B	UPDATE SPEC., NOTE, NEW FORMAT	IK	04/04/01	T4524
REV	DESCRIPTION	BY	DATE	ECO NO.