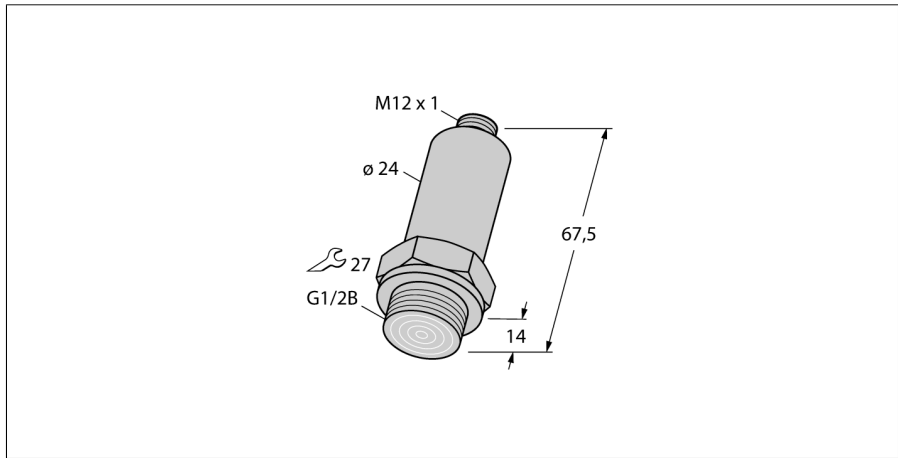
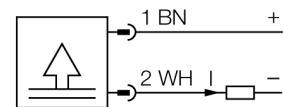


**Pressure transmitter, front-flush
with current output (2-wire)
PT010R-29-LI3-H1140**



- Compact and robust design
- Pressure connection with front-flush mounted stainless steel diaphragm
- Accuracy hardly affected by temperature within entire range
- Excellent EMC properties
- Pressure range 0...10 bar rel.

Wiring Diagram



Type designation	PT010R-29-LI3-H1140
Ident no.	6831554
Pressure range	
Relative pressure	0...10 bar rel. 0...145.04 psi 0...1 MPa
Admissible overpressure	≤ 40 bar
Burst pressure	≥ 120 bar
Response time	1 ms
Power supply	
Operating voltage	9...30 VDC
Current consumption	≤ 4 mA
Protective measure	SELV according to EN 50178
Short-circuit/reverse polarity protection	yes / yes
Protection type and class	IP67 / III
Outputs	
Output 1	Analog output
Analog output	
Current output	4...20 mA
Operating range	4...20 mA (2-wire)
Load	≤ 1.2 kΩ
Accuracy LHR analog output	± 0.5 % FS BSL
Temperature behaviour	
Medium temperature	-25...+85 °C
Temperature coefficient zero point Tk0	± 0.3 % of full scale/10 K
Temperature coefficient span T _{KS}	± 0.3 % of full scale/10 K
Ambient conditions	
Ambient temperature	-25...+85 °C
Storage temperature	-25...+85 °C
Vibration resistance	3 x g (5-500-5 Hz, 10 cycles per axis, 1 oct/min), acc. to IEC 68-2-6
Shock resistance	30 g (11 ms) , acc. to IEC 68-2-27
Housing	
Housing material	Stainless steel, 1.4435 (316L)
Pressure connection material	1.4435 (AISI 316L)
Pressure transducer material	Stainless steel 1.4548 (AISI 17-4PH)
Process connection	G ½" front-flush
Wrench size pressure connection / coupling nut	SW27
Electrical connection	Connectors, M12 x 1

Functional principle

The pressure sensors of the PT ...-2 series operate with a thin-film measuring cell. The thin-film sensor is welded directly to the pressure connection, just like the housing. The processed signal is made available as analog output of 4...20 mA (2-wire).

**Pressure transmitter, front-flush
with current output (2-wire)
PT010R-29-LI3-H1140**

Reference conditions acc. to IEC 61298-1

Temperature	15...+25 °C
Atmospheric pressure	860...1060 hPa abs.
Humidity	45...75 % rel.
Auxiliary power	24 VDC