

Absolute encoders – multiturn

| | | |
|---|--|--------------------|
| Standard mechanical multiturn, optical | Sendix 5868 / 5888 (shaft / hollow shaft) | PROFINET IO |
|---|--|--------------------|



The multiturn encoders Sendix 5868 and 5888 with PROFINET interface and optical sensor technology are ideal for use in all applications with PROFINET technology.

The encoder supports the isochronous (IRT) mode and is therefore ideal for real-time applications.



| | | | | | | | | | | |
|------------------|--------------|-----------------------|-----------------------------------|-----------------------------|--------------------------|-----------------------------|----------------------|-----------------------------|----------------|---|
| | | | | | | | | | | |
| Mechanical drive | Safety-Lock™ | High rotational speed | Temperature range -40°...+85°C | High protection level IP | High shaft load capacity | Shock / vibration resistant | Magnetic field proof | Reverse polarity protection | Optical sensor | Surface protection salt spray-tested optional |

Reliable

- Ideally suited for all PROFINET applications thanks to the use of encoder profile 4.1.
- Perfect for use in harsh outdoor environments, as a result of IP67 protection and rugged housing construction.

Flexible

- Easy setting of a preset value using a control bit (telegram 860).
- IRT-Mode.
- Cycle time ≥ 1 ms.
- Firmware updater allows for easy expansion of characteristics without having to disassemble the encoder.

| | | | |
|---|---|---|---|
| Order code Shaft version | 8.5868 Type | .XXC2 a b c d | .C212 e |
| a Flange 1 = clamping flange, IP65 \varnothing 58 mm [2.28"] 3 = clamping flange, IP67 \varnothing 58 mm [2.28"] 2 = synchro flange, IP65 \varnothing 58 mm [2.28"] 4 = synchro flange, IP67 \varnothing 58 mm [2.28"] 5 = square flange, IP65 \square 63.5 mm [2.5"] 7 = square flange, IP67 \square 63.5 mm [2.5"] | b Shaft ($\varnothing \times L$), with flat 1 = 6 x 10 mm [0.24 x 0.39"] ¹⁾ 2 = 10 x 20 mm [0.39 x 0.79"] ²⁾ 3 = 1/4" x 7/8" 4 = 3/8" x 7/8" | c Interface / supply voltage C = PROFINET IO / 10 ... 30 V DC | e Fieldbus profile C2 = PROFINET IO Optional on request - Ex 2/22 - surface protection salt spray tested |
| d Type of connection removable bus terminal cover 2 = 3 x M12 connector, 4-pin | | | |

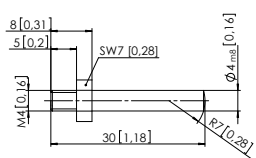
| | | | |
|---|---|---|---|
| Order code Hollow shaft | 8.5888 Type | .XXC2 a b c d | .C212 e |
| a Flange 1 = with spring element, long, IP65 2 = with spring element, long, IP67 3 = with stator coupling, IP65 \varnothing 65 mm [2.56"] 4 = with stator coupling, IP67 \varnothing 65 mm [2.56"] 5 = with stator coupling, IP65 \varnothing 63 mm [2.48"] 6 = with stator coupling, IP67 \varnothing 63 mm [2.48"] | b Blind hollow shaft (insertion depth max. 30 mm [1.18"]) 3 = \varnothing 10 mm [0.39"] 4 = \varnothing 12 mm [0.47"] 5 = \varnothing 14 mm [0.55"] 6 = \varnothing 15 mm [0.59"] 8 = \varnothing 3/8" 9 = \varnothing 1/2" | c Interface / supply voltage C = PROFINET IO / 10 ... 30 V DC | e Fieldbus profile C2 = PROFINET IO Optional on request - Ex 2/22 - surface protection salt spray tested |
| d Type of connection removable bus terminal cover 2 = 3 x M12 connector, 4-pin | | | |

1) Preferred type only in conjunction with flange type 2.
2) Preferred type only in conjunction with flange type 1.

Absolute encoders – multiturn

| | | |
|---|--|--------------------|
| Standard mechanical multiturn, optical | Sendix 5868 / 5888 (shaft / hollow shaft) | PROFINET IO |
|---|--|--------------------|

| Mounting accessory for shaft encoders | | Order no. |
|---------------------------------------|--|-------------------------|
| Coupling | bellows coupling ø 19 mm [0.75"] for shaft 6 mm [0.24"] | 8.0000.1102.0606 |
| | bellows coupling ø 19 mm [0.75"] for shaft 10 mm [0.39"] | 8.0000.1102.1010 |

| Mounting accessory for hollow shaft encoders | | Dimensions in mm [inch] | Order no. |
|---|---|-------------------------|-------------------------|
| Torque pin, ø 4 mm | with fixing thread | | 8.0010.4700.0000 |
| for flange with spring element (flange type 1 + 2) |  | | |

| Cables and connectors | | | Order no. |
|----------------------------|---|---------------------|-----------------------------|
| Preassembled cables | M12 male connector with external thread, 4-pin, D coded, straight single-ended 2 m [6.56'] PUR cable | Bus IN + Bus OUT | 05.00.6031.4411.002M |
| | M12 female connector with coupling nut, 4-pin, A coded, straight single-ended 2 m [6.56'] PUR cable | supply voltage | 05.00.6061.6211.002M |
| Connectors | M12 male connector with external thread, 4-pin, D coded, straight (metal) | Bus IN + Bus OUT | 05.WASCSY4S |
| | M12 female connector with coupling nut, 4-pin, A coded, straight (plastic) | supply voltage | 05.B8141-0 |

Further Kübler accessories can be found at: kuebler.com/accessories
 Further Kübler cables and connectors can be found at: kuebler.com/connection-technology

Absolute encoders – multiturn

| | | |
|---|--|--------------------|
| Standard mechanical multiturn, optical | Sendix 5868 / 5888 (shaft / hollow shaft) | PROFINET IO |
|---|--|--------------------|

Technical data

| Mechanical characteristics | | |
|--|--|--|
| Maximum speed | IP65 up to 70 °C [158 °F] | 9000 min ⁻¹ , 7000 min ⁻¹ (continuous) |
| | IP65 up to T _{max} | 7000 min ⁻¹ , 4000 min ⁻¹ (continuous) |
| | IP67 up to 70 °C [158 °F] | 8000 min ⁻¹ , 6000 min ⁻¹ (continuous) |
| | IP67 up to T _{max} | 6000 min ⁻¹ , 3000 min ⁻¹ (continuous) |
| Starting torque - at 20 °C [68 °F] | IP65 | < 0.01 Nm |
| | IP67 | < 0.05 Nm |
| Mass moment of inertia | shaft version | 3.0 x 10 ⁻⁶ kgm ² |
| | hollow shaft version | 7.5 x 10 ⁻⁶ kgm ² |
| Load capacity of shaft | radial | 80 N |
| | axial | 40 N |
| Weight | approx. 0.54 kg [19.05 oz] | |
| Protection acc. to EN 60529 | housing side | IP67 |
| | shaft side | IP65, opt. IP67 |
| | | |
| Working temperature range | -40 °C ... +85 °C [-40 °F ... +185 °F] | |
| Material | shaft/hollow shaft | stainless steel |
| | flange | aluminum |
| | housing | zinc die-cast |
| Shock resistance acc. to EN 60068-2-27 | 2500 m/s ² , 6 ms | |
| Vibration resistance acc. to EN 60068-2-6 | 100 m/s ² , 55 ... 2000 Hz | |

| Electrical characteristics | |
|--|----------------|
| Supply voltage | 10 ... 30 V DC |
| Power consumption (no load) | max. 200 mA |
| Reverse polarity protection of the supply voltage | yes |

General information about PROFINET IO

The PROFINET encoder implements the Encoder Profile 4.1. (according to the specification Encoder Version 4.1 Dec 2008")

It permits scaling and preset values, as well as many other additional parameters to be programmed via the PROFINET-Bus.

When switching on, all parameters are loaded from an EEPROM, where they were saved previously to protect them against power-failure, or taken over by the controller in the start-up phase.

Position, speed and many other states of the encoder can be transmitted.

| Interface characteristics PROFINET IO | | |
|---------------------------------------|--|----------------------------|
| Resolution singleturn (MUR) | scalable | 1 ... 65 536 (16 bit) |
| | default | 8 192 (13 bit) |
| Number of revolutions (NDR) | 1 ... 4 096 (12 bit) scalable only via the total resolution | |
| Total resolution (TMR) | scalable | 1 ... 268 435 456 (28 bit) |
| | default | 33 554 432 (25 bit) |
| Protocol | PROFINET IO | |

| Link 1 and 2, LED (green / yellow) | | |
|------------------------------------|--------|---------------|
| two colored | green | active link |
| | yellow | data transfer |

| Error LED (red) / PWR LED (green) | |
|-----------------------------------|--|
| Functionality see manual | |

| Approvals | | |
|--|------------------|-----------------------------------|
| UL compliant in accordance with | File no. E224618 | |
| CE compliant in accordance with | EMC Directive | 2014/30/EU |
| | RoHS Directive | 2011/65/EU |
| | ATEX Directive | 2014/34/EU (for Ex 2/22 variants) |

PROFINET IO

The complete encoder profile according to profile encoder version 4.1 as well as the identification & maintenance functionality version 1.16 has been implemented. IM blocks 0, 1, 2, 3 and 4 are supported.

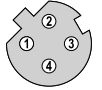

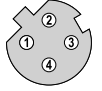
The **M**edia **R**edundancy **P**rotocol is implemented here.

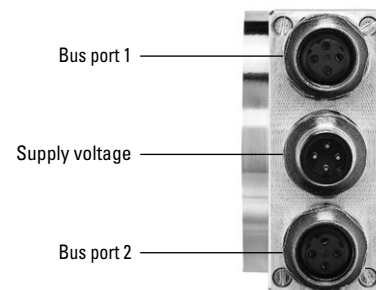
Basically, the advantage of MRP is that the functionality of the components, which are wired in a ring structure, is maintained in case of a failure or of a breakage of the wires in any location.

Absolute encoders – multiturn

| | | |
|---|--|--------------------|
| Standard mechanical multiturn, optical | Sendix 5868 / 5888 (shaft / hollow shaft) | PROFINET IO |
|---|--|--------------------|

Terminal assignment

| Interface | Type of connection | Function | M12 connector, 4-pin | | | | | |
|-----------|--------------------------|--------------|----------------------|----------------|---------------|-----------------|----------------|--|
| C | 2 (3 x M12 connector) | Bus port 1 | Signal: | Transmit data+ | Receive data+ | Transmit data - | Receive data - |  D coded |
| | | | Abbreviation: | TxD+ | RxD+ | TxD- | RxD- | |
| | | | Pin: | 1 | 2 | 3 | 4 | |
| | | Power supply | Signal: | Voltage + | – | Voltage – | – |  D coded |
| | | | Abbreviation: | + V | – | 0 V | – | |
| | | | Pin: | 1 | 2 | 3 | 4 | |
| | | Bus port 2 | Signal: | Transmit data+ | Receive data+ | Transmit data - | Receive data - |  D coded |
| | | | Abbreviation: | TxD+ | RxD+ | TxD- | RxD- | |
| | | | Pin: | 1 | 2 | 3 | 4 | |



**Standard
mechanical multiturn, optical**

Sendix 5868 / 5888 (shaft / hollow shaft)

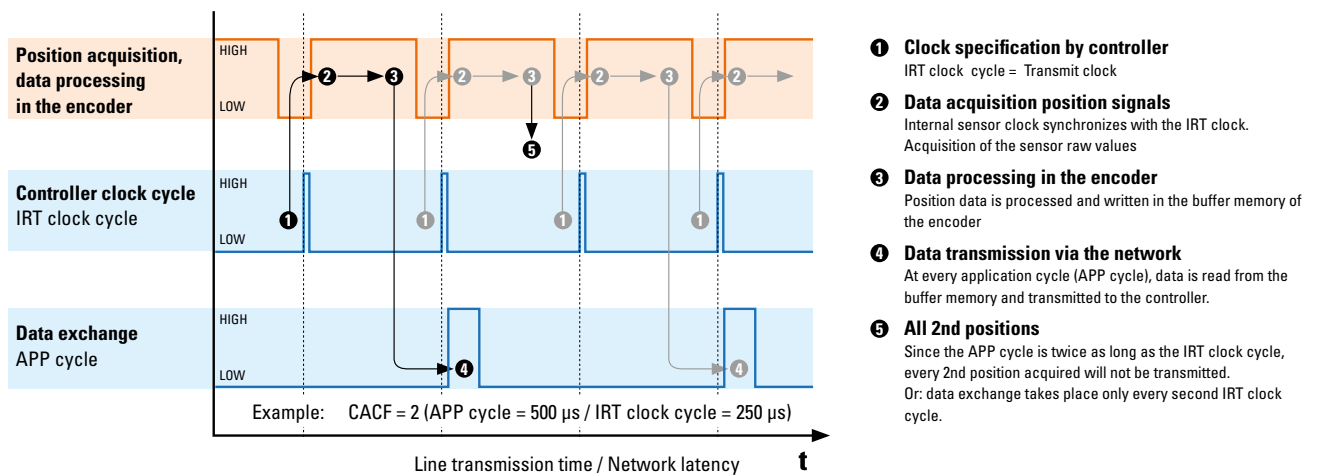
PROFINET IO

Technology in detail

Clock synchronicity – Isochronous Real Time (IRT) in position sensor technology

In general, for time-critical applications, focus is set on very short sensor cycle times. However, in order to achieve high control performance, simply accelerating data acquisition and processing by shortest cycle times is not sufficient. All sensors and actuators are to operate according to the same clock.

This is achieved thanks to a clock used for the whole network, defined by the controller. This transmit clock cycle (IRT clock) is however not necessarily the clock cycle used for process data exchange. Another cycle (application cycle) is used for this purpose, which can also be defined by the customer controller. The illustration below represents the connection between the different clock cycles.



When receiving the IRT clock signal, the sensor starts reading its current measured point. This raw value is processed internally (e.g. scaling, speed calculation, etc.) and stored in a buffer memory.

The buffer memory is read at every application cycle. If it contains a value, this value is transmitted to the controller via the network.

If the application cycle is a multiple of the IRT clock cycle, it may happen that the buffered process data is not sent directly, but is overwritten, because, even though this data is acquired with every IRT clock cycle, it is sent only with every application cycle.

The ratio between application cycle and IRT clock cycle represents the CACF (Controller Application Cycle Factor).

In this example, the CACF = 2. This indicates that only every 2nd acquired position will be transmitted to the controller.

The described methodology guarantees a determinism: since the controller defines a clock cycle for the whole network, this allows ensuring that all measured values transmitted by the sensors to the controller are never older than the selected IRT cycle! Therefore, all downstream actuators can always be regulated on the basis of the latest available measured values.

Absolute encoders – multiturn

**Standard
mechanical multiturn, optical**

Sendix 5868 / 5888 (shaft / hollow shaft)

PROFINET IO

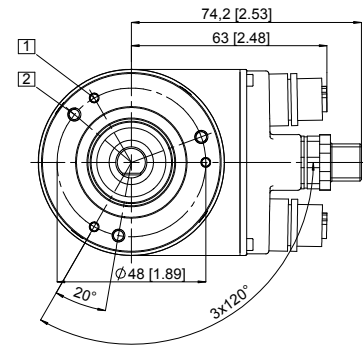
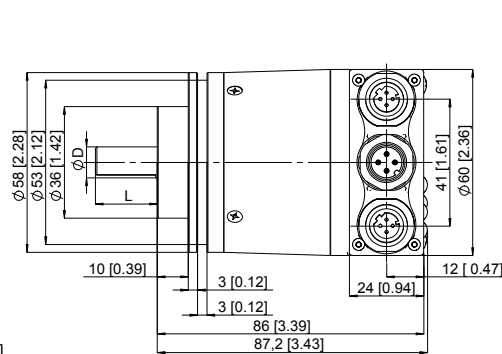
Dimensions shaft version, with removable bus terminal cover

Dimensions in mm [inch]

Clamping flange, $\varnothing 58$ [2.28]

Flange type 1 and 3

- 1 3 x M3, 6.0 [0.24] deep
- 2 3 x M4, 8.0 [0.31] deep

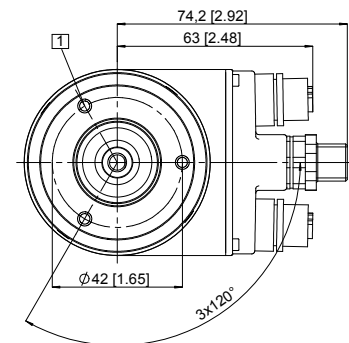
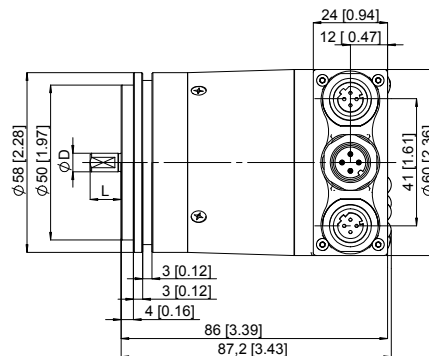


| D | Fit | L |
|-----------|-----|-----------|
| 6 [0.24] | h7 | 10 [0.39] |
| 10 [0.39] | f7 | 20 [0.79] |
| 1/4" | h7 | 7/8" |
| 3/8" | h7 | 7/8" |

Synchro flange, $\varnothing 58$ [2.28]

Flange type 2 and 4

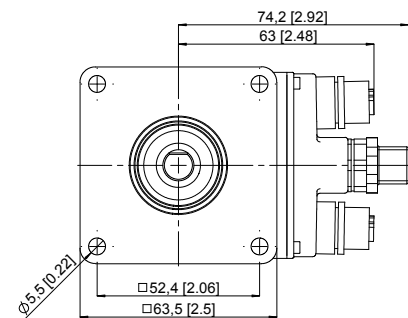
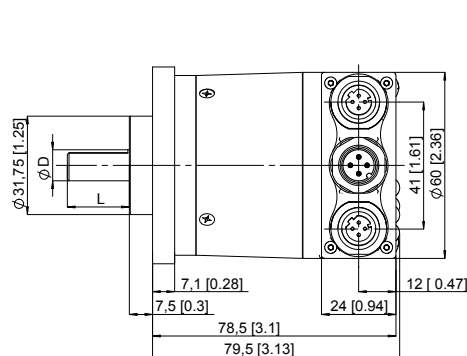
- 1 3 x M4, 6.0 [0.24] deep



| D | Fit | L |
|-----------|-----|-----------|
| 6 [0.24] | h7 | 10 [0.39] |
| 10 [0.39] | f7 | 20 [0.79] |
| 1/4" | h7 | 7/8" |
| 3/8" | h7 | 7/8" |

Square flange, $\square 63.5$ [2.5]

Flange type 5 and 7



| D | Fit | L |
|-----------|-----|-----------|
| 6 [0.24] | h7 | 10 [0.39] |
| 10 [0.39] | f7 | 20 [0.79] |
| 1/4" | h7 | 7/8" |
| 3/8" | h7 | 7/8" |

Absolute encoders – multiturn

| | | |
|---|--|--------------------|
| Standard mechanical multiturn, optical | Sendix 5868 / 5888 (shaft / hollow shaft) | PROFINET IO |
|---|--|--------------------|

Dimensions hollow shaft version (blind hollow shaft), with removable bus terminal cover

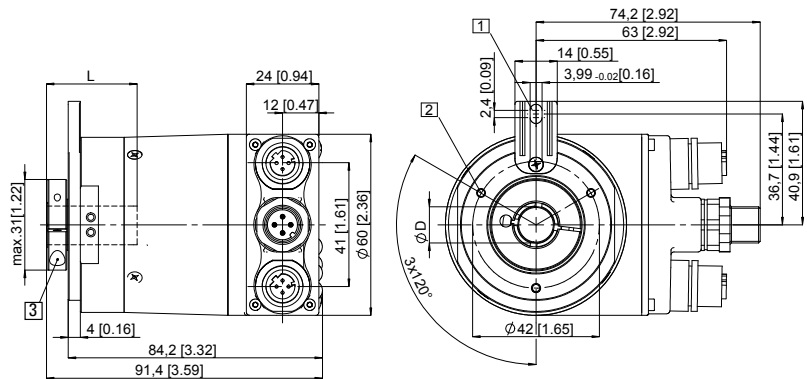
Dimensions in mm [inch]

Flange with spring element, long Flange type 1 and 2

- 1 Slot spring element
recommendation:
torque pin DIN 7, \varnothing 4 [0.16]
- 2 3 x M3, 5.5 [0.22] deep
- 3 Recommended torque for the
clamping ring 0.6 Nm

| D | Fit | L |
|-----------|-----|-----------|
| 10 [0.39] | H7 | 30 [1.18] |
| 12 [0.47] | H7 | 30 [1.18] |
| 14 [0.55] | H7 | 30 [1.18] |
| 15 [0.59] | H7 | 30 [1.18] |
| 3/8" | H7 | 30 [1.18] |
| 1/2" | H7 | 30 [1.18] |

L = insertion depth max. blind hollow shaft

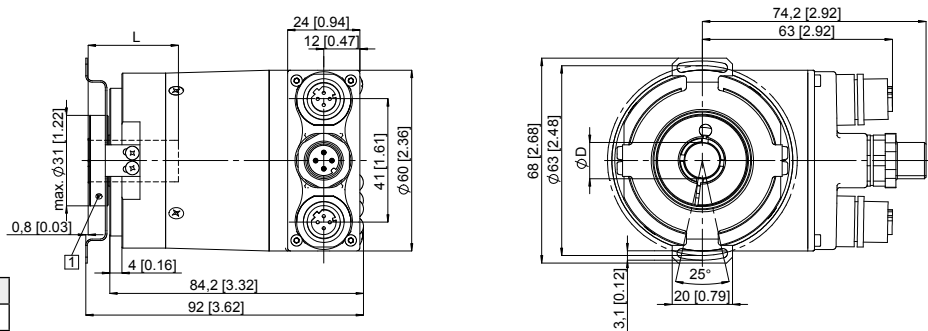


Flange with stator coupling, \varnothing 63 [2.48] Flange type 5 and 6

- 1 Recommended torque for the
clamping ring 0.6 Nm

| D | Fit | L |
|-----------|-----|-----------|
| 10 [0.39] | H7 | 30 [1.18] |
| 12 [0.47] | H7 | 30 [1.18] |
| 14 [0.55] | H7 | 30 [1.18] |
| 15 [0.59] | H7 | 30 [1.18] |
| 3/8" | H7 | 30 [1.18] |
| 1/2" | H7 | 30 [1.18] |

L = insertion depth max. blind hollow shaft



Flange with stator coupling, \varnothing 65 [2.56] Flange type 3 and 4

- 1 Recommended torque for the
clamping ring 0.6 Nm

| D | Fit | L |
|-----------|-----|-----------|
| 10 [0.39] | H7 | 30 [1.18] |
| 12 [0.47] | H7 | 30 [1.18] |
| 14 [0.55] | H7 | 30 [1.18] |
| 15 [0.59] | H7 | 30 [1.18] |
| 3/8" | H7 | 30 [1.18] |
| 1/2" | H7 | 30 [1.18] |

L = insertion depth max. blind hollow shaft

