

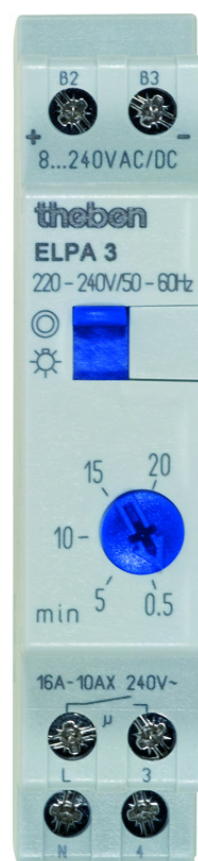
ELPA 3

Item no.: 0030002

Time and light control Staircase time switches

Description

- Additional multi-voltage input electrically isolated for AC/DC 8...240 V, e.g. für intercoms
- Switch-off pre-warning (two double flashes) in accordance with DIN 18015-2 to avoid sudden darkness
- Immediate secondary switching
- Toggle switch for permanent light
- Staircase time switch, electrical
- Terminal layout same as ELPA 8
- Extremely accurate
- Push button input with electronic overload protection
- Automatic 3 or 4 conductor detection (4 conductor with connection for floor lighting, 3 conductor no longer permitted for new systems)



Technical data

	ELPA 3
Operating voltage	230 V AC
Frequency	50 - 60 Hz
Width	1 modules
Installation type	DIN rail
Stand-by consumption	~0.3 W
Capacity loss max.	1.2 W
Glow lamp load	100 mA
Setting range time	0.5 - 20 min
Type of connection	3-/4-conductors
3/4-way conductors	Automatic
Secondary switching	At once

	ELPA 3
Duty cycle in per cent	100
Type of contact	NO contact
Opening width	< 3 mm (μ)
Switching output	Not potential-free (230 V)
Incandescent/halogen lamp load	2600 W
Fluorescent lamp load (conventional) lead-lag circuit	2600 VA
Fluorescent lamp load (conventional) parallel-corrected	1300 VA 130 μ F
LED lamp < 2 W	55 W
LED lamp 2-8 W	600 W

Subject to technical changes and misprints

additional information at: www.theben.de/product/0030002

The load data are determined with exemplary selected illuminants and are therefore typical data due to the large number of available products.

ELPA 3

Item no.: 0030002

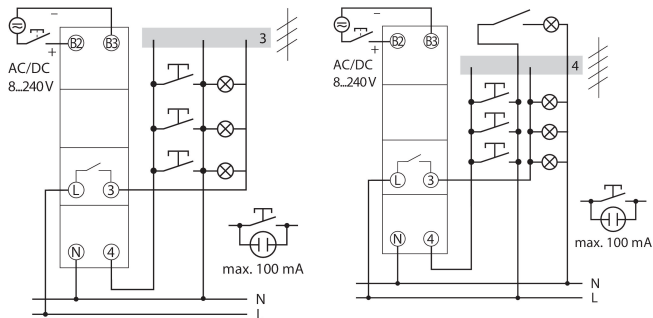


Technical data

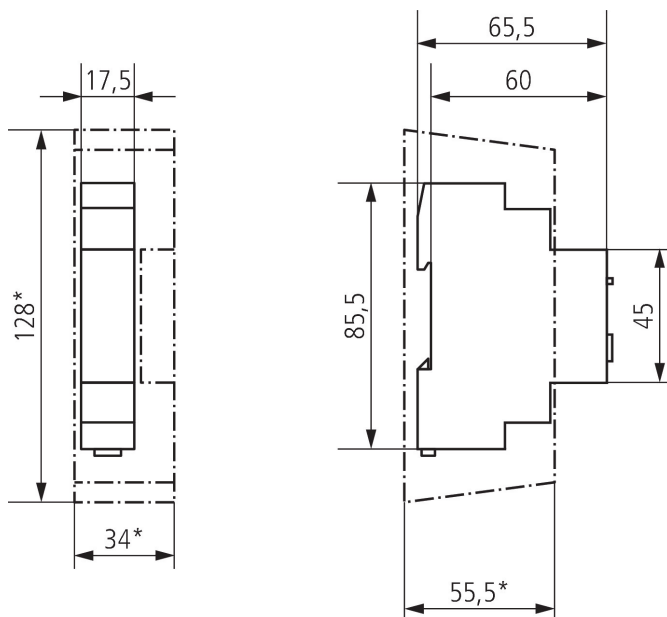
	ELPA 3
LED lamp > 8 W	600 W
Fluorescent lamp load (electronic ballast)	1100 W
Fluorescent lamp load (conventional) series-corrected	2600 VA
Fluorescent lamp load (conventional) not corrected	2600 VA
Switching capacity	10 AX at 230 V AC, $\cos \varphi = 0.3$, 16 A at 230 V AC, $\cos \varphi = 1$
Switch for permanent light	✓

	ELPA 3
Switch-off pre-warning	✓
Multi-voltage input	✓
Zero-cross switching	✓
Test approval	VDE
Housing and insulation material	High-temperature resistant, self-extinguishing thermoplastic
Ambient temperature	-25°C ... 50°C
Protection class	II
Type of protection	IP 20

Connection example



Scale drawings



Subject to technical changes and misprints

additional information at: www.theben.de/product/0030002

The load data are determined with exemplary selected illuminants and are therefore typical data due to the large number of available products.

ELPA 3

Item no.: 0030002

theben

Accessories

Wall mounting kit 17,5 mm

Item no.: 9070065



Front panel kit

Item no.: 9070001



Subject to technical changes and misprints

additional information at: www.theben.de/product/0030002

The load data are determined with exemplary selected illuminants and are therefore typical data due to the large number of available products.

02/05/2024

Page 3 of 3