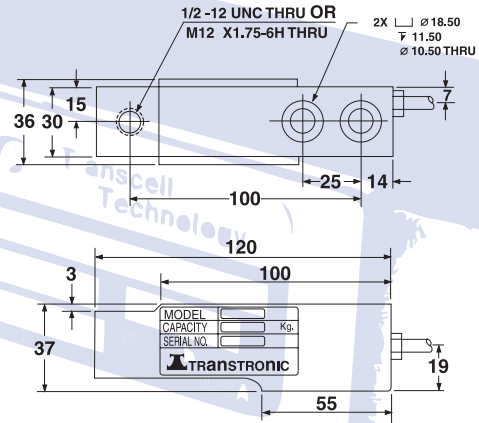
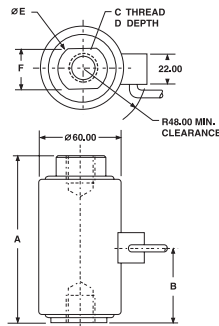


**รุ่น TA SHEAR BEAM**  
**รับน้ำหนัก 100, 150, 200, 300,**  
**500, 750 และ 1000 kg**



Rated output..... 2.0mV / V± 1%  
Zero balance..... ± 1% of rated output  
Creep after 20 minutes..... 0.03% of rated output  
Nonlinearity..... 0.03% of rated output  
Hysteresis..... 0.02% of rated output  
Repeatability..... 0.02% of rated output  
Temperature effect on output..... 0.002% of applied output/°C  
Temperature effect on zero..... 0.002% of rated output/°C

Safe temperature range..... - 10 °C to + 80 °C  
Temperature compensated..... - 10 °C to + 50 °C  
Safe overload..... 1.5 X rated capacity  
Input impedance..... 400 ohm± 30 ohm  
Output impedance..... 350 ohm± 3 ohm  
Insulation resistance..... >5000 megohms  
Recommended excitation..... 10V DC/AC  
Maximum excitation..... 20V DC/AC  
Cable length..... 2.75 M



**รุ่น CR CANISTER**  
**รับน้ำหนัก 5, 20, 50, 100, 200,**  
**500, 1000, 2000 และ 3000 kg**



CAPACITY (KG)	A	B	C	D	E	F
5, 20, 50, 100, 200, 500	80	34	M10x1.5	12	20	17
1000, 2000, 3000	120	49	M20x1.5	25	36	30

Rated output..... 2.0mV / V± 2.5%  
Zero balance..... ± 1% of rated output  
Creep after 20 minutes..... 0.03% of rated output  
Nonlinearity..... 0.03% of rated output  
Hysteresis..... 0.03% of rated output  
Repeatability..... 0.03% of rated output  
Temperature effect on output..... 0.002% of applied output/°C  
Temperature effect on zero..... 0.004% of rated output/°C

Safe temperature range..... - 10 °C to + 80 °C  
Temperature compensated..... - 10 °C to + 50 °C  
Safe overload..... 1.5 X rated capacity  
Input impedance..... 400 ohm± 30 ohm  
Output impedance..... 350 ohm± 3 ohm  
Insulation resistance..... >5000 megohms  
Recommended excitation..... 10V DC/AC  
Maximum excitation..... 20V DC/AC  
Cable length..... 2.75 M