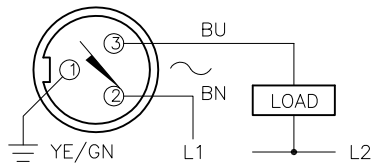


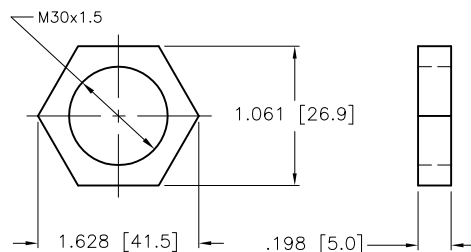
WIRING DIAGRAM



OUTPUT: AZ3X

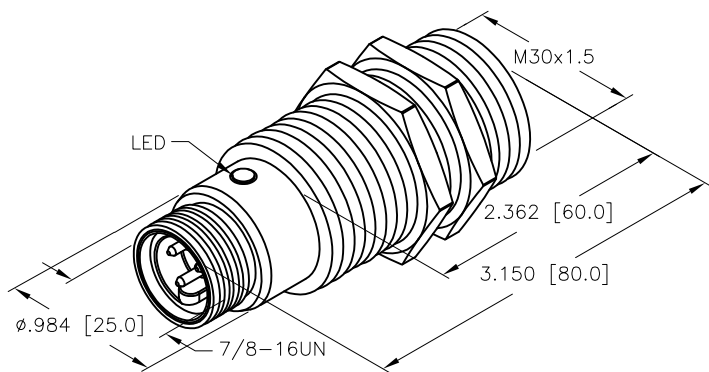
WARNING: NO SHORT-CIRCUIT PROTECTION.
ALWAYS WIRE A LOAD IN SERIES WITH THE SENSOR.

LOCKNUT LN-M30



SPECIFICATIONS

RATED OPERATING DISTANCE	10mm = .394" (NOMINAL)
MOUNTING MODE	FLUSH
TEMPERATURE DRIFT	≤ ±10%
HYSTERESIS	3-15%
MIN. REPEAT ACCURACY	≤ 2%
OPERATING TEMPERATURE	-25°C to +70°C (-13°F to +158°F)
RATED OPERATIONAL VOLTAGE	20-250 VAC/10-300 VDC
RESIDUAL RIPPLE	≤ 10%
RATED OPERATIONAL CURRENT	≤ 500 mA
FREQUENCY	40-60 Hz
RESIDUAL CURRENT	≤ 1.7 mA
RATED INSULATION VOLTAGE	≤ 1.5 kV
SURGE CURRENT	≤ 8.0 A (≤ 10 ms MAX. 5 Hz)
SHORT-CIRCUIT PROTECTION	NO
MAX. VOLTAGE DROP	≤ 7.0 V at 500mA
WIRE BREAKAGE PROTECTION	INCORPORATED
REVERSE POLARITY PROTECTION	INCORPORATED
MAX. SWITCHING FREQUENCY	≤ 0.02 kHz
SMALLEST OPERATING CURRENT	≥ 5.0 mA
OUTPUT FUNCTION	2-WIRE, NORMALLY OPEN
HOUSING MATERIAL	BRASS, CHROME-PLATED
ACTIVE FACE MATERIAL	PLASTIC, PBT
MATING PLUGS/CABLES	3 PIN "MINI" CONSTRUCTION
VIBRATION RESISTANCE	55 Hz (IN ALL 3 PLANES)
SHOCK RESISTANCE	30 g, 11 ms
DEGREE OF PROTECTION	MEETS NEMA 1,3,4,6,13 AND IEC IP67
LED FUNCTION	LED, RED



SOURCE DRAWING - FOR REFERENCE ONLY

NOTES:

1. PROTECTIVE PTFE CAP AVAILABLE FOR SENSING HEAD.
TURCK PART NO. CAP-30-PTFE

RELATED DOCUMENTS 1. 2. 3. 4.	3RD ANGLE PROJECTION 	THIS DRAWING IS CONFIDENTIAL AND THE PROPERTY OF TURCK INC. USE OF THIS DOCUMENT WITHOUT WRITTEN PERMISSION IS PROHIBITED.		TURCK INC High Technology Sensors and Automation Controls 3000 CAMPUS DRIVE MINNEAPOLIS, MN 55441 1-800-544-7769 (763) 553-7300 (763) 553-0708 fax turck.com	
	MATERIAL	DRFT SMW	DATE 03/03/87	DESCRIPTION B110-G30-AZ3X-B1131	
FINISH	ALL DIMENSIONS DISPLAYED ON THIS DRAWING ARE FOR REFERENCE ONLY	APVD	SCALE 1=1.5	IDENTIFICATION NO. T4372200	
	CONTACT TURCK FOR MORE INFORMATION	UNIT OF MEASUREMENT INCH [MILLIMETER]		REV E	
E REMOVE TRADEMARKED MATERIAL REFERENCES	CBM 11/16/12 40471	DO NOT SCALE THIS DRAWING		FILE: T4372200	
REV DESCRIPTION	BY DATE ECO NO.			SHEET 1 OF 1	

E	REMOVE TRADEMARKED MATERIAL REFERENCES	CBM	11/16/12	40471
REV	DESCRIPTION	BY	DATE	ECO NO.