

Description

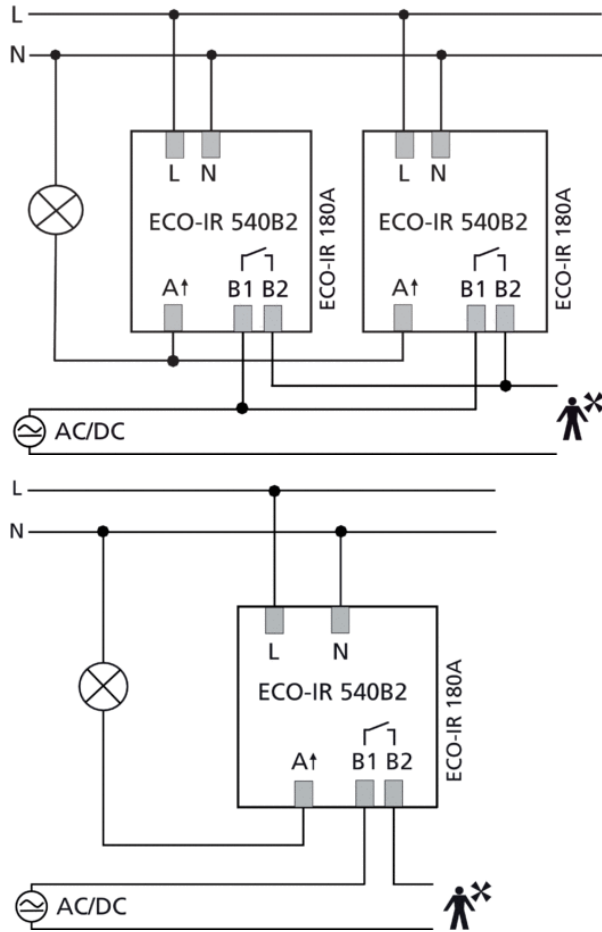


- Presence detector (PIR)
- Detection area 180°
- Genuine daylight measurement
 - Light switch output (relay, 230 V)
 - Presence switch output (relay, potential-free)
- Automatic control of lighting and HVAC
- Lighting control with light threshold value and self-learning switch-off delay
- HVAC control with separate switch-off delay
 - The switching behaviour of the presence detector is controlled by presence and light
 - The self-learning switch-off delay adjusts to occupants' behaviour
- The presence detector has "Genuine daylight measurement" and is only suitable for switching fluorescent lamps (FL/PL)
 - The presence detector detects moving bodies in a radius of approx. 8 m. Seated persons can be reliably detected in an area of 8 m x 4 m. The recommended installation height is 2.2 m
- Presence switch contact for HVAC control: The switching behaviour of the potential-free contact is only controlled by presence
- The parameters are set via the potentiometer

Technical data

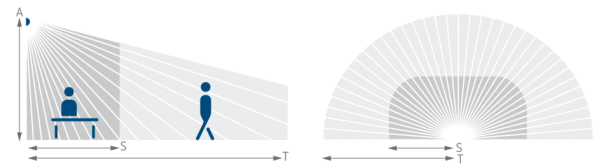
Operating voltage	230 V AC
Frequency	50 Hz
Recommended installation height	1,6 – 2,2 m
Installation type	Wall installation
Power consumption	0,9 W
Light measurement	Genuine daylight measurement
Setting range brightness	50 – 1600 lx
Light switch-off delay	2 min-15 min
Type of contact light	Relay 230 V
Lamps	fluorescent lamps
Compact and fluorescent lamps	max. 1400 VA
Compact and fluorescent lamps (Number of electronic ballasts)	12 x (1 x 58 W), 6 x (2 x 58 W), 18 x (1 x 36 W), 9 x (2 x 36 W), 18 x (smaller than 36 W)
Presence switch-off delay	10-60 min
Type of contact presence	Relay potential-free
Switching capacity presence	100 W (24 V DC), 460 VA (230 V AC), μ , min. 1 V/1 mA
Switching output	Potential-free
Type of connection	Spring terminals
Max. cable cross section	1,5 mm ²
Mounting plate	70 x 70 mm
Size of concealed housing	Ø 55 mm (NIS, PMI)
Ambient temperature	+0 °C ... +50 °C
Protection class	II according to EN 60 730-1
Type of protection	IP 40

Connection example

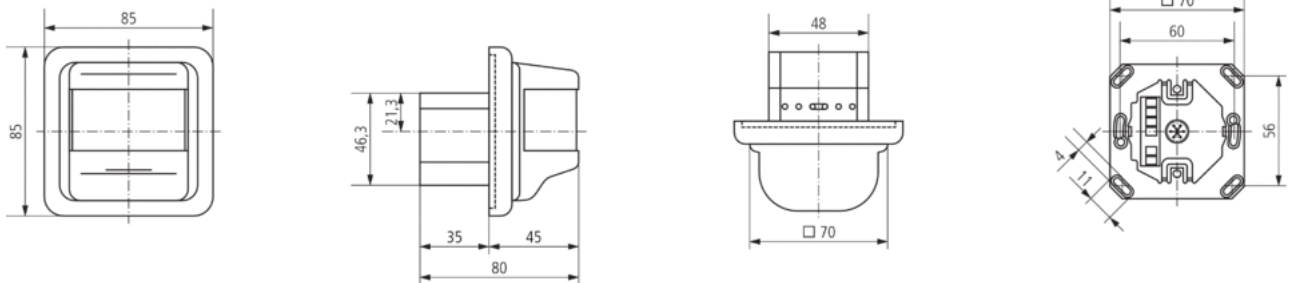


Detection range

Mounting height (A)	Sitting (S)	Walking (T)
2,2 m	32 m ² 8 m x 4 m	100 m ² 8 m



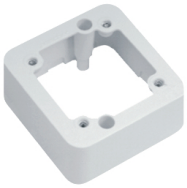
Scale drawings



Accessories

Surface frame ECO-IR 180

- Article number: 9070511
Details ▶ www.theben.de



QuickSafe

- Article number: 9070531
Details ▶ www.theben.de

