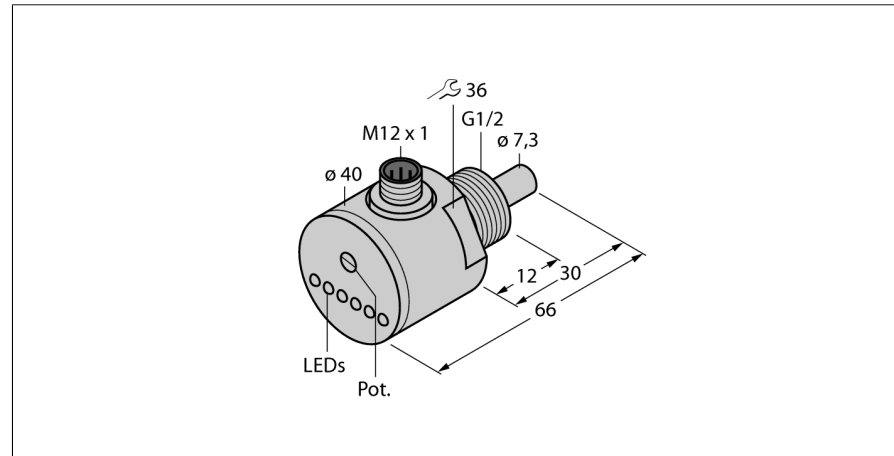
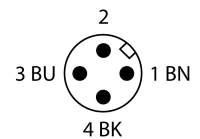
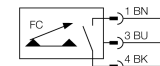


Flow monitoring
Immersion sensor with integrated processor
FCS-G1/2A4-AP8X-H1141



- Flow sensor for liquid media
- Calorimetric principle
- Adjustment via potentiometer
- LED band
- DC 3-wire, 19.2...28.8 VDC
- NO contact, PNP output
- Plug-in device, M12 x 1

Wiring Diagram



| | |
|------------------------------------|--------------------------------|
| Type designation | FCS-G1/2A4-AP8X-H1141 |
| Ident no. | 6870004 |
| Mounting conditions | Immersion sensor |
| Water Operating Range | 1...150 cm/s |
| Oil Operating Range | 3...300 cm/s |
| Stand-by time | typ. 8 s (2...15 s) |
| Switch-on time | typ. 2 s (1...15 s) |
| Switch-off time | typ. 2 s (1...15 s) |
| Temperature jump, response time | max. 12 s |
| Temperature gradient | ≤ 250 K/min |
| Medium temperature | -20...+80 °C |
| Ambient temperature | -20...+80 °C |
| Operating voltage | 19.2...28.8 VDC |
| Current consumption | ≤ 80 mA |
| Output function | PNP, NO contact |
| Rated operational current | 0.4 A |
| Voltage drop at I _e | ≤ 1.5 V |
| Short-circuit protection | yes |
| Reverse polarity protection | yes |
| Protection class | IP67 |
| Housing material | Stainless steel, V4A (1.4571) |
| Sensor material | Stainless steel, AISI 316Ti |
| Max. tightening torque housing nut | 30 Nm |
| Electrical connection | Connector, M12 x 1 |
| Pressure resistance | 100 bar |
| Process connection | G ½" |
| Switching state | LED chain green / yellow / red |
| Flow state display | LED chain |
| Indication: Drop below setpoint | LED red |
| Indication: Setpoint reached | LED yellow |
| Indication: Setpoint exceeded | 4 x LEDs green |

Functional principle

Our insertion - flow sensors operate on the principle of thermodynamics. The measuring probe is heated by several °C as against the flow medium. When fluid moves along the probe, the heat generated in the probe is dissipated. The resulting temperature is measured and compared to the medium temperature. The flow status of every medium can be derived from the evaluated temperature difference. Thus TURCK's wear-free flow sensors reliably monitor the flow of gaseous and liquid media.