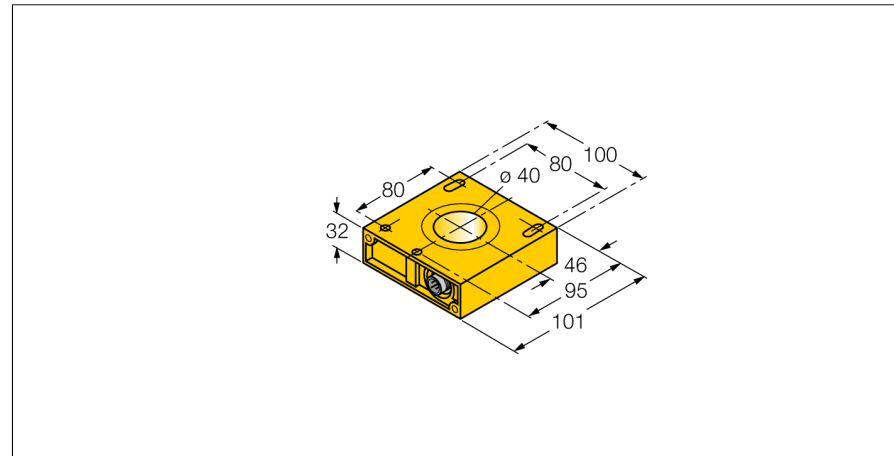


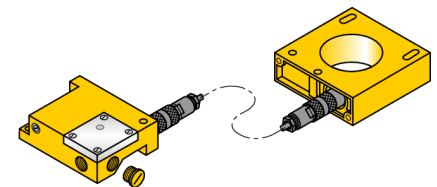
**Inductive sensor
Ring probe
NI40R-**



- Rectangular, height 32 mm
- Plastic, ABS
- Modular mounting with the S32SR-AP44X-S1131 or S32SR-VP44X switching amplifier

Functional principle

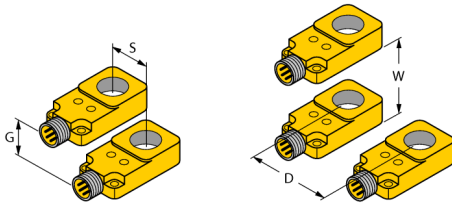
Inductive sensors detect metal objects contactless and wear-free. For this purpose they use a high-frequency electromagnetic AC field that interacts with the target. Inductive ring sensors generate this field through an LC resonant circuit. The target acts as the coil core.



Type designation	NI40R-
Ident no.	1430101
Inside ring diameter D	40 mm
Steel wire diameter (Si37)	≥ 1 mm
pulse stop	≥ 5 ms
Pulse duration at the output	100 ms ± 20 %
Ambient temperature	-25...+70 °C
Design	Ring probe, S32SR
Dimensions	95 x 100 x 32 mm
Housing material	Plastic, ABS
Coil body	plastic, ABS
Protection class	IP65

**Inductive sensor
Ring probe
NI40R-**

Distance D	150 mm
Distance W	150 mm
Distance S	150 mm
Distance G	150 mm



**Inductive sensor
Ring probe
NI40R-**

Accessories

Type code	Ident no.	Description	
ADAPTER CABLE RING 1.6M	14306	The adapter cable enables separate mounting of ring probe and switching amplifier; coax cable: RG58 C/U 50 Ohm	