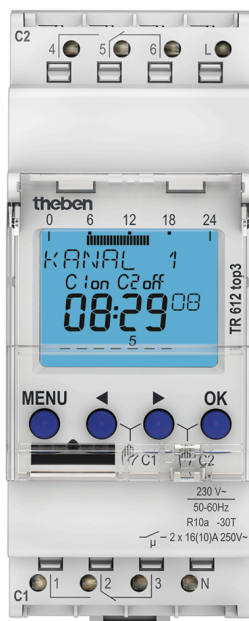


## Description



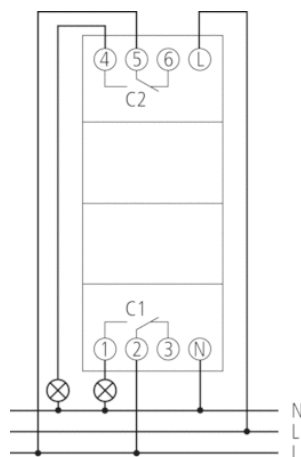
- Digital time switch with weekly program
- 2 channels
- Programming by app possible
- Safe transfer via optional Bluetooth Low Energy OBELISK top3
- Maximum manipulation security, time switch programs can only be transferred from the app to the time switch when the Bluetooth OBELISK top3 is plugged into the time switch
- 100 % compatible with top2
- DuoFix spring terminals
  - For 2 conductors each
  - Wire or strand (with or without wire end sleeve)
  - Wire diameter: 0.5 - 2.5 mm<sup>2</sup>
  - Button for releasing plug-in connection
- Text-oriented user guidance in display
  - Preset date and time
  - fully operable without mains connection
- 56 memory locations
- Interface for OBELISK top2 memory card (PC programming)
  - 2. insertable switching program
  - Copying programs
  - Storing programs
- 10 year power reserve (lithium battery)
- Zero-cross switching for relay-saving switching and high lamp loads (not with 24 V devices)
- ON-OFF switching times
- Switching preselection
- Permanent switching ON/OFF
- Integrated operating hour counter
  - Reset option
  - Service function for monitoring maintenance intervals
- Holiday program
- Display back light (can be turned off)
- Permanent switching ON/OFF
- PIN coding
- Automatic summer/winter time changeover
  - can be deactivated
  - Date rule options are already stored for Europe, the USA and other countries
  - own date rule options or changeover around set dates are available

## Technical data

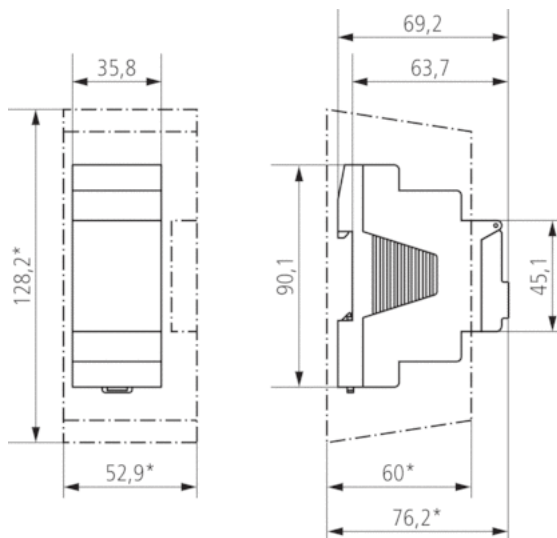
|                            |                            |
|----------------------------|----------------------------|
| Operating voltage          | 230 V AC                   |
| Frequency                  | 50 – 60 Hz                 |
| Width                      | 2 modules                  |
| Installation type          | DIN rail                   |
| Type of contact            | Two-way changeover contact |
| Switching output           | Phase-independent          |
| Opening width              | < 3 mm                     |
| Program                    | Weekly program             |
| Program functions          | ON-OFF                     |
| Number of channels         | 2                          |
| Number of memory locations | 56                         |
| Power reserve              | 10 years                   |

|   |  |
|---|--|
| Switching capacity at 250 V AC, $\cos \varphi = 1$      | 16 A   |
| Switching capacity at 250 V AC, $\cos \varphi = 0,6$    | 10 A   |
| Incandescent/halogen lamp load 230 V                    | 2600 W   |
| Energy saving lamps 230 V                               | 1100 W   |
| LED lamp < 2 W  | 50 W   |
| LED lamp 2-8 W  | 600 W  |
| LED lamp > 8 W  | 600 W  |
| Fluorescent lamp load (conventional) not corrected      | 2600 VA  |
| Fluorescent lamp load (conventional) series-corrected   | 2600 VA  |
| Fluorescent lamp load (conventional) parallel-corrected | 1300 VA 130 $\mu$ F  |
| Switching capacity min.                                 | ca. 10 mA  |
| Shortest switching times                                | 1 min  |
| Time accuracy at 25 °C                                  | typical $\pm 0,25$ s/day (quartz)                            |
| Time basis  | Quartz   |
| Stand-by consumption                                    | $\sim 0,4$ W   |
| Memory card supplied                                    | –  |
| Type of connection                                      | DuoFix spring terminals                                      |
| Externe Antenne anschließbar                            | –  |
| Keyboards   | 4 touch buttons  |
| Housing and insulation material                         | High-temperature resistant, self-extinguishing thermoplastic |
| Type of protection                                      | IP 20  |
| Protection class  | II according to EN 60 730-1                                  |
| Spannung  | 230 V AC   |
| Ambient temperature                                     | -30 °C ... +55 °C  |

### Connection example



## Scale drawings



## Accessories

### Bluetooth OBELISK top3

- Article number: 9070130  
Details ▶ [www.theben.de](http://www.theben.de)



### Wall mounting kit 35 mm

- Article number: 9070064  
Details ▶ [www.theben.de](http://www.theben.de)



### PC set OBELISK top2/3

- Article number: 9070409  
Details ▶ [www.theben.de](http://www.theben.de)



### Memory card OBELISK top2

- Article number: 9070404  
Details ▶ [www.theben.de](http://www.theben.de)



### Front panel kit

- Article number: 9070001  
Details ▶ [www.theben.de](http://www.theben.de)

