

## Description



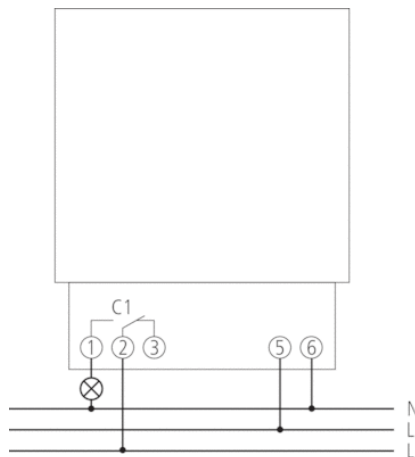
- Digital time switch with weekly program
- 1 channel
- Text-based operator guidance in the display
  - Preset date and time
  - fully operable without mains connection
- 84 memory locations
- Interface for OBELISK top2 memory card (PC programming)
  - 2. insertable switching program
  - Copying programs
  - Storing programs
- 10 year power reserve (lithium battery)
- ON-OFF switching times
- Pulse program
- Cycle program
- Switching preselection
- Permanent ON/OFF switching
- Count-down timer
- Integrated hour counter
  - Reset option
  - Service function for monitoring maintenance intervals
- Holiday program
- 2 random programs
- Back lighting (can be turned off)
- PIN coding
- Automatic summer/winter time changeover
  - can be deactivated
  - Date rule options are already stored for Europe, the USA and other countries
  - own date rule options or changeover around set dates are available

## Technical data

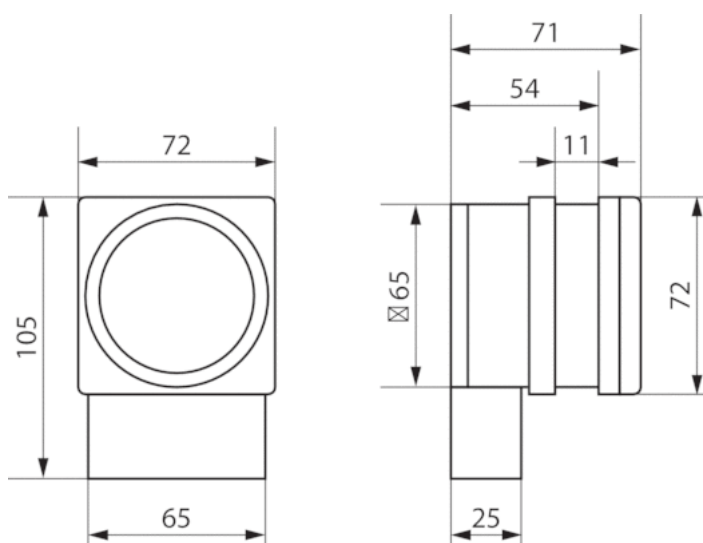
Operating voltage	230 – 240 V AC
Frequency	50 – 60 Hz
Installation type	Front panel installation/wall installation
Type of contact	Changeover contact
Switching output	Phase-independent
Opening width	< 3 mm ( $\mu$ )
Program	Weekly program
Program functions	ON-OFF, Pulse, Cycle
Number of channels	1
Number of memory locations	84
Power reserve	10 years
Switching capacity at 250 V AC, $\cos \varphi = 1$	16 A
Switching capacity at 250 V AC, $\cos \varphi = 0,6$	10 A
Incandescent/halogen lamp load 230 V	2300 W
Energy saving lamps 230 V	90 W
LED lamp < 2 W	20 W
LED lamp 2-8 W	50 W
Fluorescent lamp load (conventional) not corrected	1000 VA

Fluorescent lamp load (conventional) series-corrected	1000 VA
Fluorescent lamp load (conventional) parallel-corrected	400 VA 42 µF
Shortest switching times	1 s
Time accuracy at 25 °C	≤ ± 0.5 s/day (quartz) at 25 °C
Time basis	Quartz
Stand-by consumption	~0,9 W
Memory card supplied	–
Type of connection	Screw terminals
Keyboards	4 touch buttons, 1 reset button
Housing and insulation material	High-temperature resistant, self-extinguishing thermoplastic
Type of protection	IP 20
Protection class	II according to EN 60 730-1
Ambient temperature	-30 °C ... +55 °C

### Connection example



### Scale drawings



## Accessories

---

### PC set OBELISK top2/3

- Article number: 9070409  
Details ▶ [www.theben.de](http://www.theben.de)



### Memory card OBELISK top2

- Article number: 9070404  
Details ▶ [www.theben.de](http://www.theben.de)



### Snap-on mounting 72 x 72

- Article number: 9070071  
Details ▶ [www.theben.de](http://www.theben.de)

