

ELPA 047

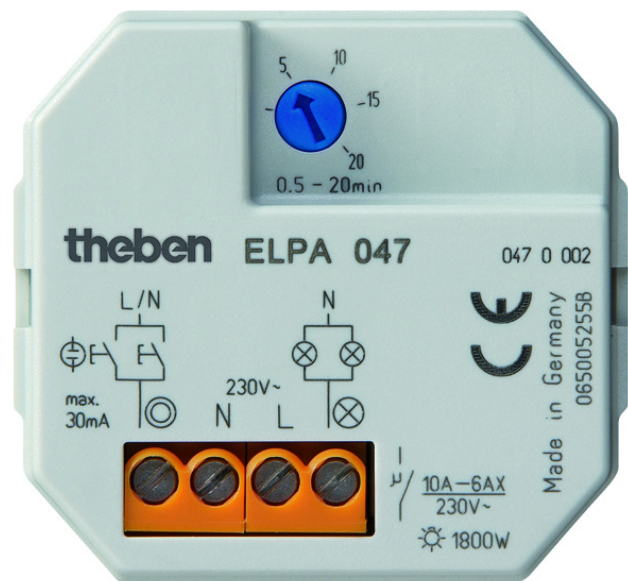
Item no.: 0470002



Time and light control Staircase time switches

Description

- Push button connectable
- Flush-mounted staircase time switch, electronic
- Suitable for upgrades and new installation
- Zero-cross switching for relay-saving switching and high lamp loads
- Push button input with electronic overload protection
- Automatic 3 or 4 conductor detection (4 conductor with connection for floor lighting, 3 conductor no longer permitted for new systems)
- Extremely accurate
- Immediate secondary switching



Technical data

ELPA 047	
Operating voltage	230 V AC
Frequency	50 - 60 Hz
Installation type	Flush-mounted
Stand-by consumption	~0.1 W
Glow lamp load	30 mA
Setting range time	0.5 - 20 min
Type of connection	3-/4-conductors
3/4-way conductors	Automatic
Secondary switching	At once
Type of contact	NO contact
Opening width	< 3 mm (μ)
Switching output	Not potential-free (230 V)
Incandescent/halogen lamp load	1800 W
Fluorescent lamp load (conventional) lead-lag circuit	1200 VA
Fluorescent lamp load (conventional) parallel-corrected	580 VA 54 μF
Energy saving lamps	110 W
LED lamp < 2 W	20 W

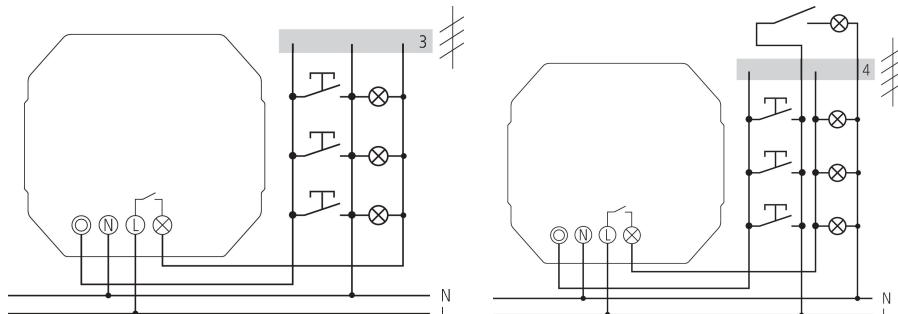
ELPA 047	
LED lamp 2-8 W	250 W
LED lamp > 8 W	250 W
Fluorescent lamp load (electronic ballast)	200 VA
Fluorescent lamp load (conventional) series-corrected	1200 VA
Fluorescent lamp load (conventional) not corrected	1200 VA
Switching capacity	6 AX at 230 V AC, cos φ = 0.3, 10 A at 230 V AC, cos φ = 1
Switch-off pre-warning	-
Multi-voltage input	-
Zero-cross switching	✓
Test approval	VDE
Housing and insulation material	High-temperature resistant, self-extinguishing thermoplastic
Ambient temperature	-25°C ... 45°C
Protection class	II
Type of protection	IP 20

Subject to technical changes and misprints

additional information at: www.theben.de/product/0470002

The load data are determined with exemplary selected illuminants and are therefore typical data due to the large number of available products.

Connection example



Scale drawings

