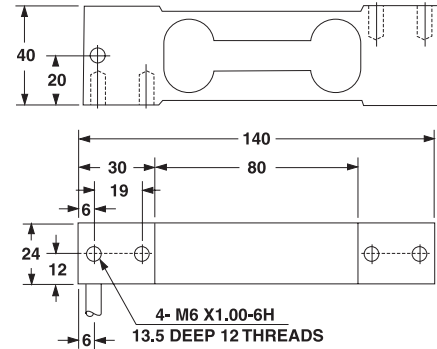
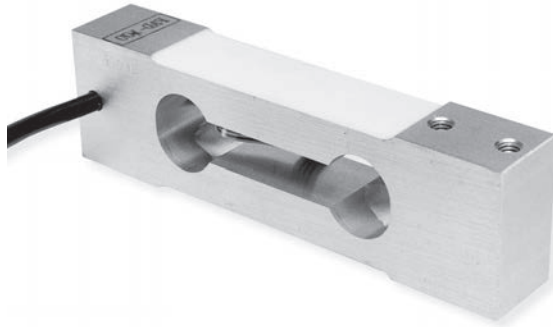


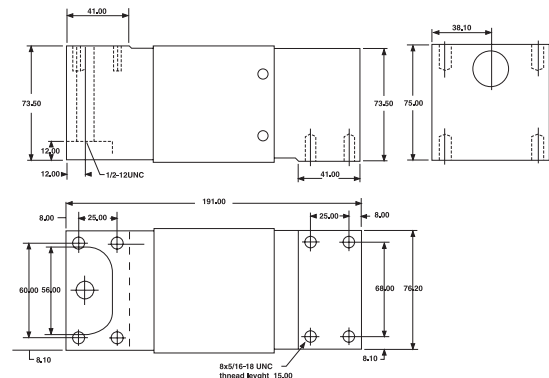
รุ่น FAD SINGLE POINT รับน้ำหนัก 5, 10, 20, 30, 45, 60, 75 และ 100 kg



Full Scale Output: 1.6mV / V \pm 10%
 Creep after 20 minutes: 0.02% of FS output
 Total Error : 0.02% of FS output
 Safe Overload : 1.5 x rated capacity
 Insulation Resistance : > 5000 M Ω
 Temp. Compensated : 32 °F to 140 °F
 (0 °C to + 40 °C)

Input Impedance : 400 Ω \pm 30 Ω
 Output Impedance : 350 Ω \pm 3 Ω
 Rated Excitation : 10V DC/AC
 Maximum Excitation : 20V DC/AC
 Cable Length : 1 ft.

รุ่น FAG SINGLE POINT รับน้ำหนัก 100, 150, 200, 250, 300, 500, 635 และ 1000 kg



Rated Output : 2.0 mV/V \pm 10%
 Zero Balance : \pm 5% of rated output
 Creep after 20 minutes : 0.02% of rated output
 Nonlinearity : 0.02% of rated output
 Hysteresis : 0.02% of rated output
 Repeatability : 0.02% of rated output
 Temp. effect on output : 0.002% of applied output/°C
 Temp. effect on zero : 0.005% of rated output/°C
 Safe Temp. Range : -10 °C to 70 °C

Temp. Compensated : -10 °C to 50 °C
 Safe Overload : 2 x rated capacity
 Input Impedance : 420 Ω \pm 30 Ω
 Output Impedance : 350 Ω \pm 5 Ω
 Insulation Resistance : > 5000 m Ω
 Rated Excitation : 10V DC/AC
 Maximum Excitation : 20V DC/AC
 Cable length : 2.7m
 Max. Platform Size : 800 x 800 mm