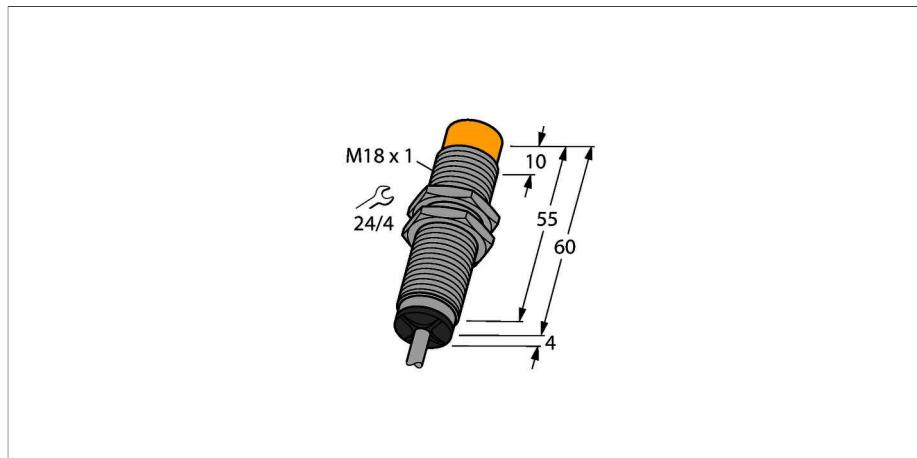


NI8-M18-LIU

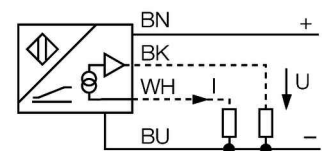
Inductive sensor – With analog output



Features

- Threaded barrel, M18 x 1
- Chrome-plated brass
- 4-wire, 15...30 VDC
- Analog output
- 0...10 V and 0...20 mA
- Cable connection

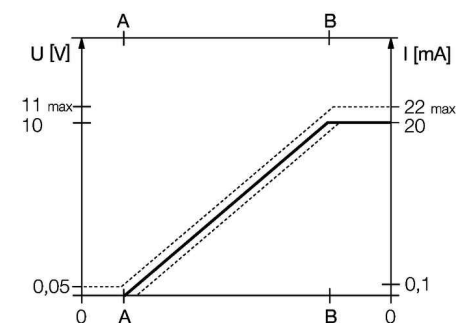
Wiring diagram



Technical data

Type	NI8-M18-LIU
ID number	1536100
Measuring range [A...B]	1...5 mm
Mounting conditions	Non-flush
Correction factors	St37 = 1; Al = 0.3; stainless steel = 0.7; Ms = 0.4
Repeatability	≤ 1 % of measuring range A - B
	≤ 0.5 %, after warm-up 0.5 h
Reproducibility	≤ 40 μm
	≤ 20 μm, after a warm-up time of 0.5 h
Linearity deviation	≤ 3 %
Temperature drift	≤ ± 10 %
Temperature drift	≤ ± 0.06 % / K
Ambient temperature	-25...+70 °C
Operating voltage	15...30 VDC
Residual ripple	≤ 10 % U _{ss}
No-load current	≤ 8 mA
Isolation test voltage	≤ 0.5 kV
Short-circuit protection	yes
Wire breakage/Reverse polarity protection	no / Complete
Output function	4-wire, Analog output
Voltage output	0...10 V
Current output	0...20 mA
Load resistance voltage output	≥ 4.7 kΩ
Load resistance, current output	≤ 0.4 kΩ
Measuring sequence frequency	100 Hz
Design	Threaded barrel, M18 x 1
Dimensions	64 mm

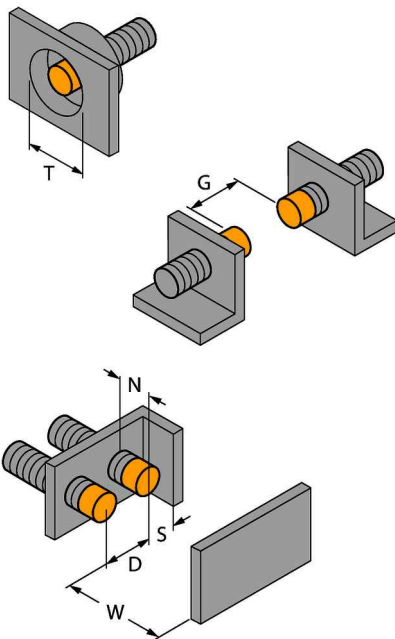
Functional principle



Technical data

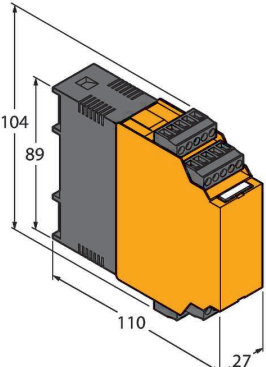
Housing material	Metal, CuZn, Chrome-plated
Active area material	Plastic, PA12-GF30
End cap	Plastic, EPTR
Max. tightening torque housing nut	25 Nm
Electrical connection	Cable
Cable quality	Ø 5.2 mm, LifYY, PVC, 2 m
Cable cross section	4 x 0.34 mm ²
Vibration resistance	55 Hz (1 mm)
Shock resistance	30 g (11 ms)
Protection class	IP67
MTTF	751 years acc. to SN 29500 (Ed. 99) 40 °C

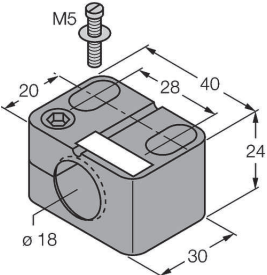
Mounting instructions/Description



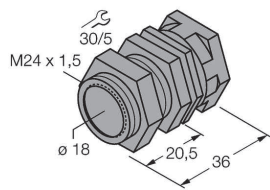
Distance D	36 mm
Distance W	18 mm
Distance T	3 x B
Distance S	27 mm
Distance G	36 mm
Distance N	12 mm
Diameter active area B	Ø 18 mm

Mounting accessories

IM43-13-SR	7540041
	
<p>Trip amplifier; 1-channel; input 0/4... 20 mA or 0/2... 10 V; supply of 2- or 3-wire transmitters/sensors; limit value adjustment via teach button; three relay outputs with one NO contact each; removable terminal blocks; 27 mm wide; universal voltage supply 20...250 VUC; further Limit value indicators are described in our "Interface Technology" catalog.</p>	

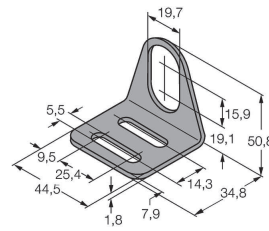
BST-18B	6947214
	
<p>Fixing clamp for threaded barrel devices, with dead-stop; material: PA6</p>	

QM-18 6945102



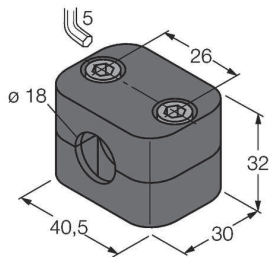
Quick-mount bracket with dead-stop; material: Chrome-plated brass Male thread M24 x 1.5. Note: The switching distance of proximity switches can be reduced by the use of quick-mount brackets.

MW-18 6945004



Mounting bracket for threaded barrel devices; material: Stainless steel A2 1.4301 (AISI 304)

BSS-18 6901320



Mounting bracket for smooth and threaded barrel devices; material: Polypropylene