

**Time and light control**  
**Analogue time switches**

**Description**

- 1 channel
- Without power reserve
- Synchronised with mains
- Switching preselection
- Permanent ON/OFF switch
- Simple summer/winter time correction
- Time can be changed clockwise or anti-clockwise
- 32 tappets included in delivery
- Analogue time switch with daily or weekly program (switching disc can be turned)
- Tappets
- Shortest switching time: 20 minutes or 2 hours
- Clock hands for time display
- Switching status display



**Technical data**

SYN 269 h	
Operating voltage	230 V AC
Frequency	50 Hz
Number of channels	1
Installation type	Front panel installation/wall installation
Type of connection	Screw terminals
Drive	Synchronous motor
Program	Daily program, Weekly program
Switching capacity at 250 V AC, cos $\varphi$ = 1	10 A

SYN 269 h	
Switching capacity at 250 V AC, cos $\varphi$ = 0,6	2 A
Shortest switching times	20, 2 min
Programmable every	5, 30 min
Time accuracy at 25 °C	Synchronised with mains
Type of contact	Changeover contact
Switching output	Potential-free and phase-independent
Stand-by consumption	0.9 W
Housing and insulation material	High-temperature resistant, self-extinguishing thermoplastic

Subject to technical changes and misprints

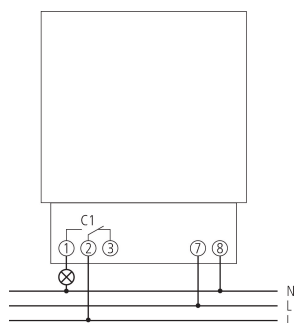
additional information at: [www.theben.de/product/2690008](http://www.theben.de/product/2690008)

The load data are determined with exemplary selected illuminants and are therefore typical data due to the large number of available products.

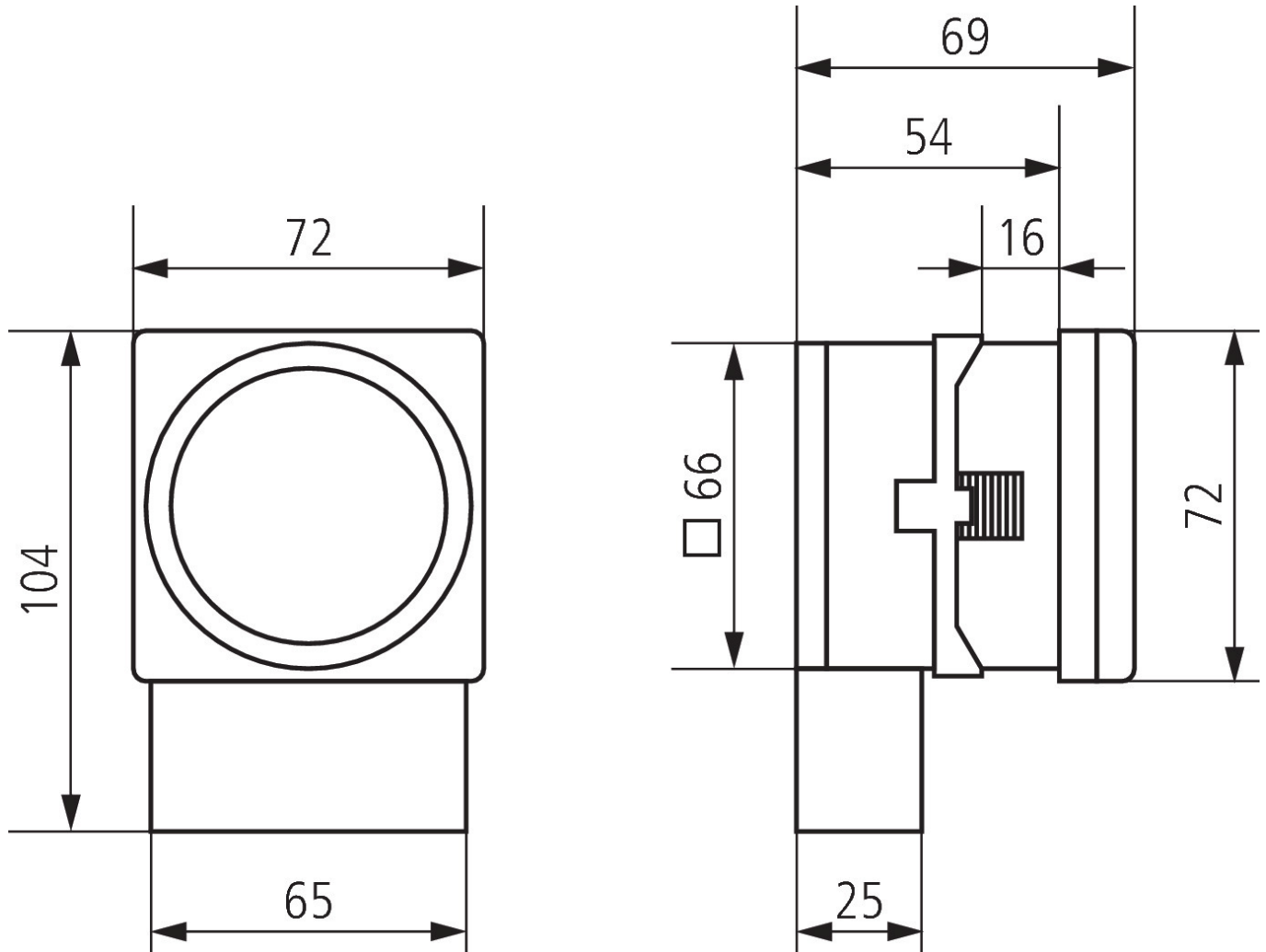
### Technical data

SYN 269 h	
Type of protection	IP 20
Protection class	II according to EN 60 730-1
Ambient temperature	-10°C ... 55°C

### Connection example



Scale drawings



Accessories

Snap-on mounting 72 x 72  
Item no.: 9070071



Subject to technical changes and misprints

additional information at: [www.theben.de/product/2690008](http://www.theben.de/product/2690008)

The load data are determined with exemplary selected illuminants and are therefore typical data due to the large number of available products.