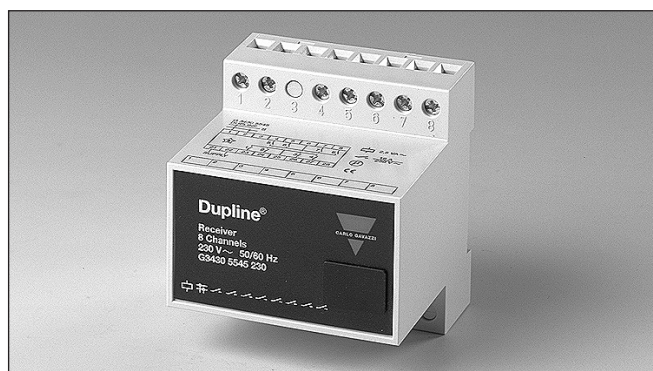


Output Module Type G 3430 5545



- 8-channel receiver
- Relay load: 16A
- Module load: 32A (16 A per relay)
- Galvanically separated SPST relay outputs
- H4-housing
- For mounting on DIN-rail (EN 50022)
- LED-indications for supply, Dupline® carrier and outputs
- AC power supply
- Address coding by GAP 1605

Product Description

Dupline receiver® designed to be a part of the Dupline® concept for Building Automation. SPST relay outputs for control of 8 loads of up to 250 VAC/16 A.

Ordering Key

G 3430 5545 024

Type: Dupline® _____
H4-housing _____
Receiver _____
Number of channels _____
Output type _____
Power supply _____

Type Selection

Supply	Ordering no.
24 VAC	G3430 5545 024
115 VAC	G3430 5545 115
230 VAC	G3430 5545 230

Output Specifications

Outputs	8 SPST relays
Contact ratings (AgSn02)	μ (micro gap)
Resistive loads AC1	16 A
Mechanical lifetime	5x10 ⁶ operations
Electrical lifetime	1x10 ⁵ operations/250 V, 12 A
Minimum load	100 mA/12 V
Operating frequency	60 operations/min.
Dielectric voltage	
Outputs – Dupline®	≥ 4 kVAC (rms)
Response time	≤ 1 pulse train

Supply Specifications (cont.)

Fail polarity state delay	
Upon loss of Dupline® carrier	≤ 20 ms
Power ON delay	typ. 2s
Indication for:	
Supply ON	LED, Green
Dupline® carrier	LED, Yellow
Output ON	LED, red (one per output)
Environment	
Degree of protection	IP 20
Pollution degree	3 (IEC 60664)
Operating temperature	-5 to +50°C (+23° to +122°F)
Storage temperature	-50 to +85°C (-58° to +185°F)
Humidity (non-condensing)	20 to 80%
Mechanical resistance	
Shock	5 G (11ms)
Vibration	2 G (6 to 55Hz)
Housing	H4-housing
Weight	400 g

Supply Specifications

Power Supply	Overvoltage cat. III (IEC 60664)
Rated operational voltage	230 VAC, +/- 10%
Through term. 21 & 22	(IEC 60038)
	115 VAC, +/- 10% (IEC 60038)
	24 VAC, +/- 10%
Frequency	45 to 65 Hz
Rated operational power	Typ. 2,5 VA
Power dissipation	≤ 4 W
Rated impulse withstand voltage	230 4 kV
	115 2,5 kV
	024 800 V
Dielectric voltage	
Supply – Dupline®	≥4 kVAC (rms)
Supply – Outputs	≥2 kVAC (rms)

Mode of Operation

8-channel receiver with 8 normally open contact outputs. Each output is coded by means of the code programmer GAP 1605. For changing the default setting, please refer to the datasheet on GAP 1605.

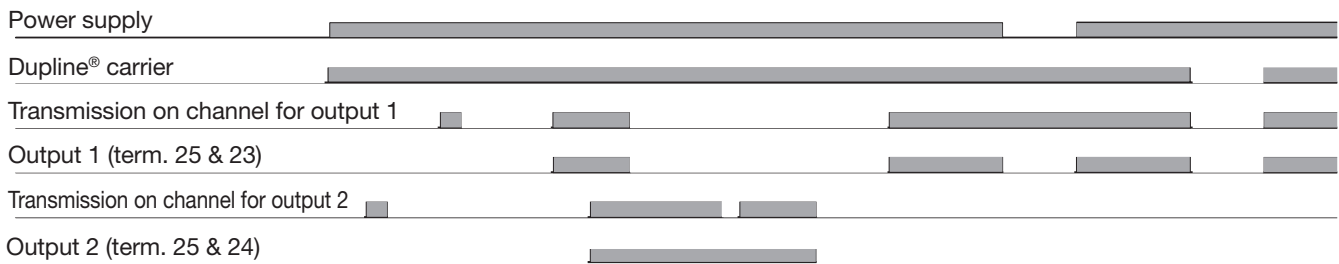
The outputs are normally OFF. When a transmitter coded to the selected channel is activated, the output turns ON and remains ON until the respective channel becomes deactivated. The

default setting is such that upon loss of Dupline® carrier all the outputs go OFF.

Note: At delivery some of the relays might be ON due to transportation bumps. To be sure that the relays are OFF, connect the module to power and Dupline and transmit on channels A1-8 once.

Note: Due to the construction with bistable relays, the module is intended for heating and light control only.

Operation Diagram

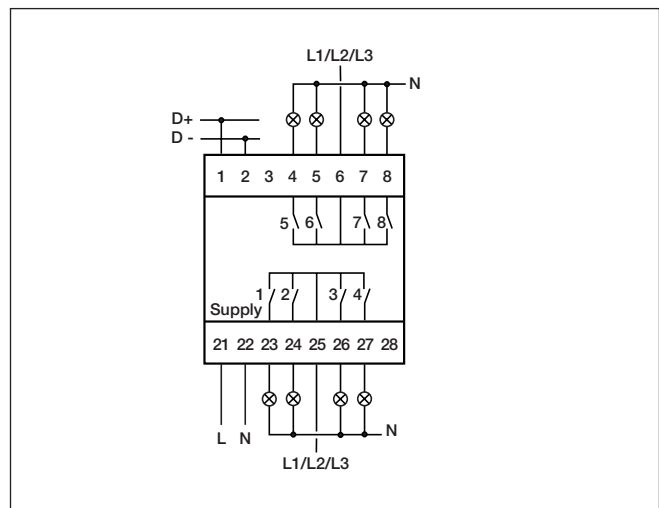


Output Specifications, Relay Data

Load	Test conditions	Typical number of operations
250 V, 12 A, $\cos \varphi = 1$	1800/h, 50% DC, +70°C	1.0×10^5
250 V, 8 A, $\cos \varphi = 1$	1800/h, 50% DC, +70°C	3.5×10^5
250 V, 4 A, $\cos \varphi = 1$	1800/h, 50% DC, +70°C	5.0×10^5
250 V, 3 A, $\cos \varphi = 1$	1800/h, 50% DC, +70°C	7.5×10^5
230 V, 550 W filament lamps $I_{in} \leq 40 A_{peak}$ $I_{off} = 2.5 A$	60/h, 8% DC, +22°C	2.0×10^5
230 V, 1000 W filament lamps $I_{in} \leq 71.5 A_{peak}$ $I_{off} = 4.5 A$	60/h, 8% DC, +25°C	7.0×10^4
230 V, 900 W fluorescent tubes (25 x 36 W) parallel compensated, 30 μF	360/h, 50% DC, +25°C	1.0×10^4
230 V, compressor $I_{in} \leq 21 A_{peak}$ $I_{off} = 3.5 A$ $\cos \varphi = 0.5$	500/h, 20% DC, +25°C	1.7×10^5
250 V, 8 A, $\cos \varphi = 0.3$	360/h, 50% DC, +25°C	1.0×10^5

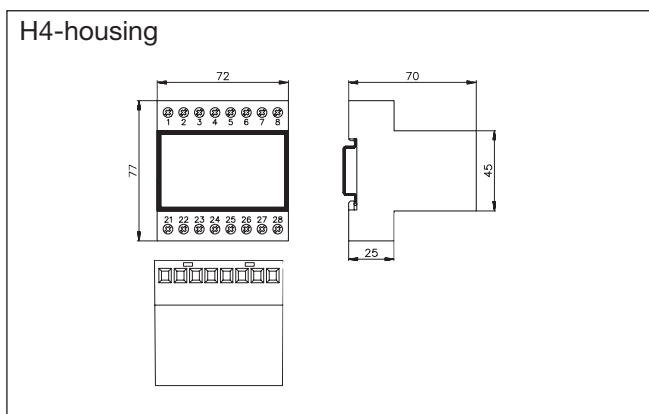
Wiring Diagram

8 channels G 3430 5545
SPST relay output



Default setting (fail polarity): OFF

Dimensions (mm)



Accessories

DIN-rail FMD 411

For further information, see "Accessories".