

Hour meters / timers, electromechanical

Timers with DIN dimensions **DIN counter for panel mount / DIN rail housing, 48 x 48 mm** **H57 / AH57**



The hour meters H57, H57.55, H57.72 and AH57 feature a very high shock resistance. These panel / DIN rail mount counters have a reduced mounting depth. They can be used in many different fields of application. These non-resettable counters are extremely tamper-proof.



Characteristics

- 7 or 8-digit hour meter.
- High shock and impact resistance.
- Without reset, small mounting depth.
- Magnified large figures.
- Protection IP52 (optional IP65), suitable for any mounting position.
- UL-approved.
- Various front bezel sizes
 - H57 48 x 48 mm
 - H57.55 55 x 55 mm
 - H57.72 72 x 72 mm
 - AH57 48 x 48 mm for DIN rail

Benefits

- 5 years guarantee. ¹⁾
- High reliability: for a better sale of your final product.
- Data retention in case of power failure.
- Long service life.

Applications

General time measurement, maintenance intervals for measuring instruments (respiration units, oxygen, dialysis), small appliances, UV lamps, display panels in vehicles

Type series

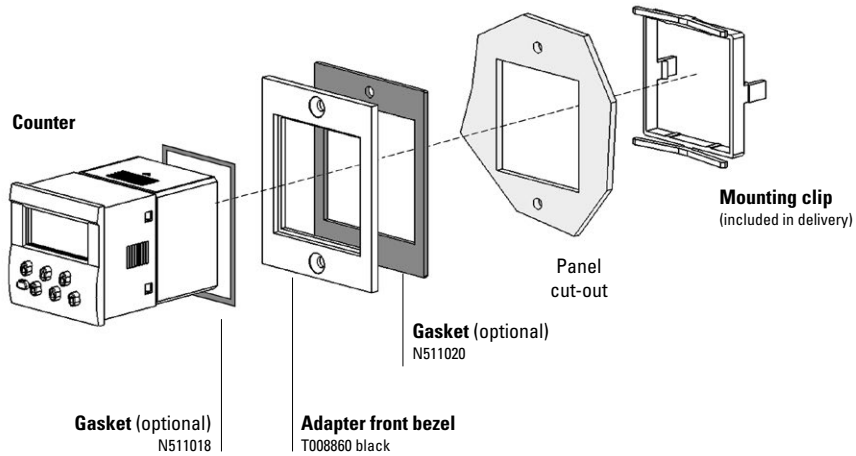
Description	Mounting	Front bezel	Type
Standard DIN timer	clip mounting, on rear	48 x 48 mm [1.89 x 1.89"]	H57
Standard DIN timer	clip mounting, on rear	55 x 55 mm [1.97 x 1.97"]	H57.55
Standard DIN timer	clip mounting, on rear	72 x 72 mm [2.83 x 2.83"]	H57.72
Base mount timer	DIN rail 35 mm [1.38"] acc. to DIN EN 50022		AH57

1) When used as specified in the technical data

Hour meters / timers, electromechanical

Timers with DIN dimensions **DIN counter for panel mount / DIN rail housing, 48 x 48 mm** **H57 / AH57**

Accessories / Mounting examples



		Type / size	Description		Order no.	suitable gasket
Adapter front bezel		55 x 55 mm [2.17 x 2.17]	for cut-out 50 x 50 mm [1.97 x 1.97"] or ø 50,5 mm [1.99"] to cut-out 45 x 45 mm [1.77 x 1.77"]	grey black	T008170 T008171	N511017
		55 x 55 mm [2.17 x 2.17]	for cut-out 50 x 50 mm [1.97 x 1.97"] to cut-out 45 x 45 mm [1.77 x 1.77"]	black	T008853	N511004
		60 x 75 mm [2.36 x 2.95]	for cut-out 50 x 50 mm [1.97 x 1.97"] to cut-out 45 x 45 mm [1.77 x 1.77"]	black	T008860	N511020
		72 x 72 mm [2.83 x 2.83]	for cut-out 68 x 68 mm [2.68 x 2.68"] to cut-out 45 x 45 mm [1.77 x 1.77"]	grey black Mating clip	T008176 T008177 T009420	N511016
		ø 72 mm [2.83]	for cut-out ø 60 mm [2.36"] to cut-out 45 x 45 mm [1.77 x 1.77"]	black	N510226	–
Gasket counter			48 x 48 mm (for installation in adapter front bezel)		N511018	
Mounting frame		cut-out 50 x 50 mm [2.36 x 2.36]	for snap-on mounting on 35 mm [1.38"] top-hat DIN rail	chromated	G300003	
Base mount socket				black	G008040	

Hour meters / timers, electromechanical

Timers with DIN dimensions DIN counter for panel mount / DIN rail housing, 48 x 48 mm H57 / AH57

Technical data															
Electrical connection	screw terminals (tightening torque max. 0.8 Nm) wire entry from behind, for \varnothing 2.5 mm ² [AWG13]														
Power consumption	<table border="0"> <tr> <td>10 ... 30 V DC</td> <td>approx. 500 mW</td> </tr> <tr> <td>100 ... 130 V DC</td> <td>approx. 750 mW</td> </tr> <tr> <td>20 ... 30 V AC, 50 Hz</td> <td>approx. 0.3 VA</td> </tr> <tr> <td>42 ... 48 V AC, 50 Hz</td> <td>approx. 0.25 VA</td> </tr> <tr> <td>100 ... 130 V AC, 50 Hz</td> <td>approx. 0.6 VA</td> </tr> <tr> <td>187 ... 264 V AC, 50 Hz</td> <td>approx. 1.2 VA</td> </tr> <tr> <td>360 ... 440 V AC, 50 Hz</td> <td>approx. 1.65 VA</td> </tr> </table>	10 ... 30 V DC	approx. 500 mW	100 ... 130 V DC	approx. 750 mW	20 ... 30 V AC, 50 Hz	approx. 0.3 VA	42 ... 48 V AC, 50 Hz	approx. 0.25 VA	100 ... 130 V AC, 50 Hz	approx. 0.6 VA	187 ... 264 V AC, 50 Hz	approx. 1.2 VA	360 ... 440 V AC, 50 Hz	approx. 1.65 VA
10 ... 30 V DC	approx. 500 mW														
100 ... 130 V DC	approx. 750 mW														
20 ... 30 V AC, 50 Hz	approx. 0.3 VA														
42 ... 48 V AC, 50 Hz	approx. 0.25 VA														
100 ... 130 V AC, 50 Hz	approx. 0.6 VA														
187 ... 264 V AC, 50 Hz	approx. 1.2 VA														
360 ... 440 V AC, 50 Hz	approx. 1.65 VA														
Rated voltages	<table border="0"> <tr> <td>AC (50 or 60 Hz)</td> <td>20 ... 30 V, 42 ... 48 V, 100 ... 130 V, 187 ... 264 V, 360 ... 440 V</td> </tr> <tr> <td>DC</td> <td>10 ... 30 V, 36 ... 80 V, 100 ... 130 V</td> </tr> </table>	AC (50 or 60 Hz)	20 ... 30 V, 42 ... 48 V, 100 ... 130 V, 187 ... 264 V, 360 ... 440 V	DC	10 ... 30 V, 36 ... 80 V, 100 ... 130 V										
AC (50 or 60 Hz)	20 ... 30 V, 42 ... 48 V, 100 ... 130 V, 187 ... 264 V, 360 ... 440 V														
DC	10 ... 30 V, 36 ... 80 V, 100 ... 130 V														
On time	100 %														
Number of digits	<table border="0"> <tr> <td>7 at AC</td> <td>99999.99 h</td> </tr> <tr> <td>8 at DC</td> <td>999999.99 h</td> </tr> </table>	7 at AC	99999.99 h	8 at DC	999999.99 h										
7 at AC	99999.99 h														
8 at DC	999999.99 h														
Count mode	adding														
Height of figures	4 mm [0.16"]														
Color of figures	white and red on black														
Operating temperature	-15 °C ... +50 °C [+5 °F ... +122 °F] (non-condensing)														
Storage temperature	-40 °C ... +85 °C [-40 °F ... +185 °F]														
Relative humidity at +30 °C [+86 °F]	≤ 80 % (non-condensing)														
Altitude	up to 2000 m [6562']														
Mounting position	any														
Protection	IP52, DIN 40050 (front side)														
Device safety	<table border="0"> <tr> <td>designed to</td> <td>EN 61010 part 1</td> </tr> <tr> <td>protection class</td> <td>2</td> </tr> <tr> <td>application area</td> <td>pollution level 2</td> </tr> </table>	designed to	EN 61010 part 1	protection class	2	application area	pollution level 2								
designed to	EN 61010 part 1														
protection class	2														
application area	pollution level 2														
Housing	plastic PC (Polycarbonate)														
Accuracy	<table border="0"> <tr> <td>AC</td> <td>supply frequency + 30 ms</td> </tr> <tr> <td>DC</td> <td>< 0.003 % (at 24 h)</td> </tr> </table>	AC	supply frequency + 30 ms	DC	< 0.003 % (at 24 h)										
AC	supply frequency + 30 ms														
DC	< 0.003 % (at 24 h)														
Weight	<table border="0"> <tr> <td>H57</td> <td>approx. 48 g [1.69 oz]</td> </tr> <tr> <td>base mount socket no. 48</td> <td>36 g [1.27 oz]</td> </tr> <tr> <td>slip-on bezel 55</td> <td>8 g [0.28 oz]</td> </tr> <tr> <td>slip-on bezel 72</td> <td>13 g [0.46 oz]</td> </tr> </table>	H57	approx. 48 g [1.69 oz]	base mount socket no. 48	36 g [1.27 oz]	slip-on bezel 55	8 g [0.28 oz]	slip-on bezel 72	13 g [0.46 oz]						
H57	approx. 48 g [1.69 oz]														
base mount socket no. 48	36 g [1.27 oz]														
slip-on bezel 55	8 g [0.28 oz]														
slip-on bezel 72	13 g [0.46 oz]														
Operating indicator of the running time meter	<table border="0"> <tr> <td>AC</td> <td>fast rotating wheel with red dashes</td> </tr> <tr> <td>DC</td> <td>1/100 h display turns continuously by 1 digit in 36 s</td> </tr> </table>	AC	fast rotating wheel with red dashes	DC	1/100 h display turns continuously by 1 digit in 36 s										
AC	fast rotating wheel with red dashes														
DC	1/100 h display turns continuously by 1 digit in 36 s														
Test voltage	2000 V AC, 50 Hz for AC counters														

Options							
Housing color	grey Art. no. 3.22X.400.XXX						
Timer H57.55 mounted with adapter front bezel 55 x 55 mm [2.17 x 2.17"]	Art. no. 3.221.XXX.XXX						
Timer H57.72 mounted with adapter front bezel 72 x 72 mm [2.83 x 2.83"]	Art. no. 3.222.XXX.XXX						
Electrical connection	flat pin 0.8 x 6.3 mm [0.031 x 0.25"] Art.-No.: 3.228.401.XXX						
IP65 version, welded front cover	<table border="0"> <tr> <td>H57</td> <td>Art. no. 3.220.XXX.XXX.422</td> </tr> <tr> <td>H57.55</td> <td>Art. no. 3.221.XXX.XXX.423</td> </tr> <tr> <td>H57.72</td> <td>Art. no. 3.222.XXX.XXX.424</td> </tr> </table>	H57	Art. no. 3.220.XXX.XXX.422	H57.55	Art. no. 3.221.XXX.XXX.423	H57.72	Art. no. 3.222.XXX.XXX.424
H57	Art. no. 3.220.XXX.XXX.422						
H57.55	Art. no. 3.221.XXX.XXX.423						
H57.72	Art. no. 3.222.XXX.XXX.424						
Required gaskets	between the counter and the bezel						
	H57 N511018						
Gasket set	<table border="0"> <tr> <td>H57.55</td> <td>N511018 + N511017</td> </tr> <tr> <td>H57.72</td> <td>N511018 + N511016</td> </tr> </table>	H57.55	N511018 + N511017	H57.72	N511018 + N511016		
H57.55	N511018 + N511017						
H57.72	N511018 + N511016						
(with the IP65 version, the gasket is included in the delivery)							
Further voltages on request							
Counter with cable inlet from underneath, screw fixing from rear Art. no. 3.220.401.XXX.044							

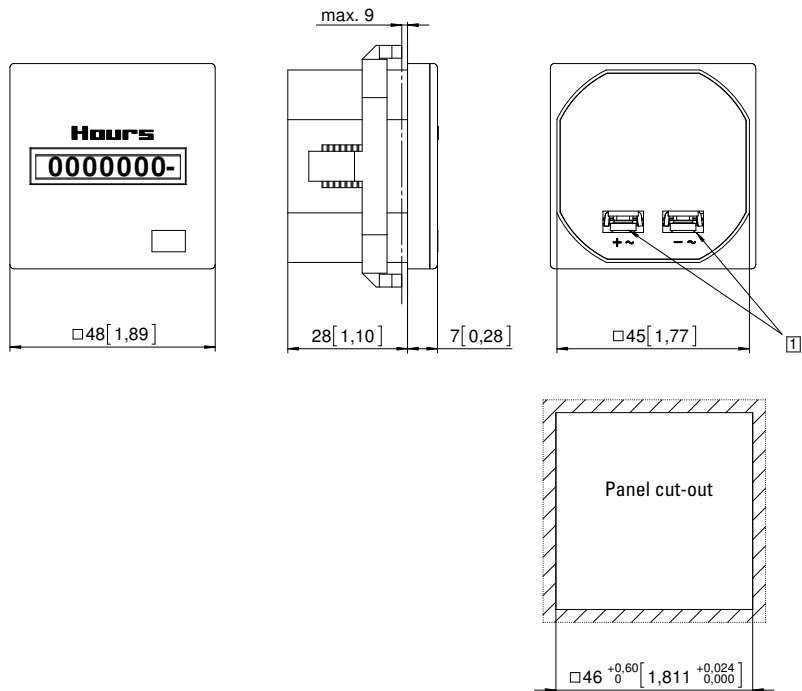
Approvals	
UL compliant in accordance with	File no. E128604 ¹⁾
CE compliant in accordance with	
EMC Directive	2014/30/EU
RoHS Directive	2011/65/EU
Low Voltage Directive	2014/35/EU

1) The version 360 ... 440 V AC is not UL listed.

Hour meters / timers, electromechanical

Timers with DIN dimensions **DIN counter for panel mount / DIN rail housing, 48 x 48 mm** **H57 / AH57**

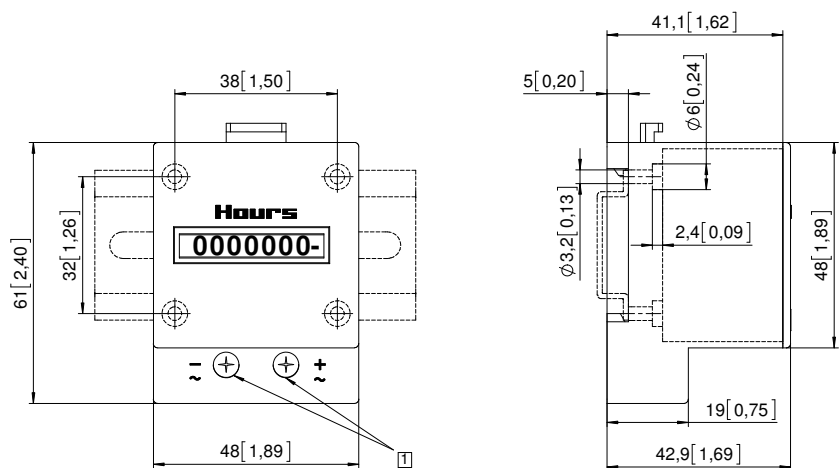
Standard DIN timer
clip mounting, on rear
Type H57



1) Screw terminal with flat pin x 6.3 [0.031 x 0.25]

Type	Display	Voltage	Art. no.					
			10 ... 30 V	20 ... 30 V	42 ... 48 V	100 ... 130 V	187 ... 264 V	360 ... 440 V
H57	7 digits	AC (50 Hz)		3.220.401.071 ¹⁾	3.220.401.072	3.220.401.074 ¹⁾	3.220.401.075 ¹⁾	3.220.401.079
	7 digits	AC (60 Hz)		3.220.401.081 ¹⁾	3.220.401.082	3.220.401.084 ¹⁾	3.220.401.085	3.220.401.089
	8 digits	DC	3.220.401.351 ¹⁾			3.220.401.381		
Further stock types:			3.220.401.075.422 ¹⁾ 3.220.401.085.422 ¹⁾ 3.220.401.351.422 ¹⁾ 3.220.400.075 ¹⁾					

Base mount timer
DIN rail mount 35 [1.38] acc. to DIN EN 50022
Type AH57



1) Screw terminals

Type	Display	Voltage	Art. no.					
			10 ... 30 V	20 ... 30 V	42 ... 48 V	100 ... 130 V	187 ... 264 V	360 ... 440 V
AH57	7 digits	AC (50 Hz)		3.223.401.071 ¹⁾	3.223.401.072	3.223.401.074 ¹⁾	3.223.401.075 ¹⁾	3.223.401.079
	7 digits	AC (60 Hz)		3.223.401.081	3.223.401.082	3.223.401.084	3.223.401.085	3.223.401.089
	8 digits	DC	3.223.401.351 ¹⁾			3.223.401.381		