

Description



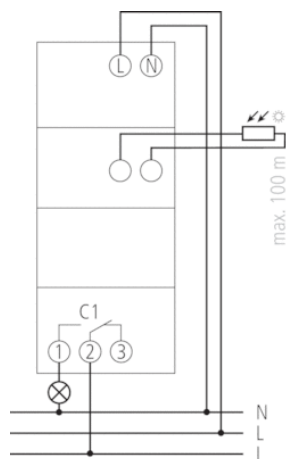
- Analogue twilight switch
- External light sensor included in delivery
- Adjustable On and Off switching delay
 - to avoid faulty operation caused by lightning, car headlights etc.
- Display of channel and switching status
- DuoFix spring terminals
 - for 2 conductors per connection terminal
- Extended brightness levels and adjustable delay
- Five adjustable brightness levels for simple setting of lux value
- Zero-cross switching for relay-saving switching and high lamp loads (not with 24 V devices)
- Permanent OFF and permanent ON function can be set on the potentiometer
- Test function
 - for monitoring installation independent of set brightness value
- Infinitely adjustable switching brightness

Technical data

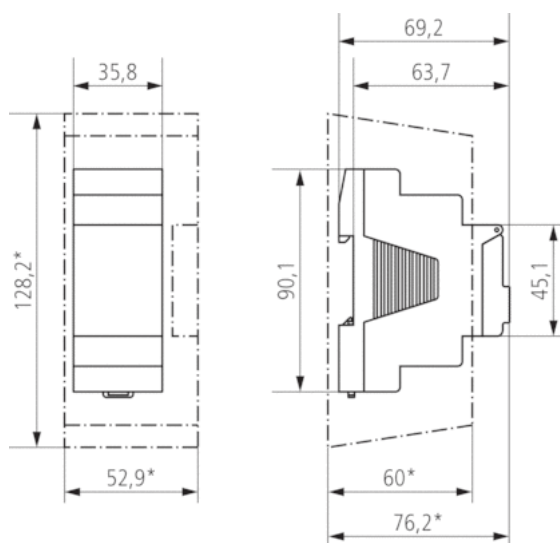
Operating voltage	220 – 240 V AC
Frequency	50 – 60 Hz
Number of channels	1
Stand-by consumption	~1,3 W
Capacity loss max.	1,4 W
Setting range brightness	2 – 50000 lx
Switch-on delay	0 – 20 min
Switch-off delay	0 – 20 min
Type of contact	Changeover contact
Switching output	Potential-free, not for SELV
Width	2 modules
Installation type	DIN rail
Type of connection	DuoFix spring terminals
Keyboards	3 potentiometers
Switching capacity	16 A (at 250 V AC, $\cos \varphi = 1$), 16 AX (Fluorescent lamp load)
Switching capacity min.	<10 mA
Incandescent lamp load	3600 W
Halogen lamp load	3600 W
Fluorescent lamp load (conventional) not corrected	3600 VA
Fluorescent lamp load (conventional) series-corrected	3600 VA
Fluorescent lamp load (conventional) lead-lag circuit	3600 VA
Fluorescent lamp load (conventional) parallel-corrected	1200 VA 130 μ F
LED lamp < 2 W	50 W
LED lamp 2-8 W	160 W
LED lamp > 8 W	200 W
Energy saving lamps	270 W

Fluorescent lamp load (electronic ballast)	1000 W
Test approval	VDE
Housing and insulation material	High-temperature resistant, self-extinguishing thermoplastic
Ambient temperature	-30 °C ... +55 °C
Type of protection	IP 20, sensor IP 65
Protection class	II, Sensor III
Max. cable length to sensor	100 m

Connection example



Scale drawings



Accessories

Analogue surface-mounted light sensor

- Article number: 9070416
[Details ▶ www.theben.de](http://www.theben.de)



Analogue flush-mounted light sensor

- Article number: 9070011
[Details ▶ www.theben.de](http://www.theben.de)



Wall mounting kit 35 mm

- Article number: 9070064
[Details ▶ www.theben.de](http://www.theben.de)



Article number: 1100200

Front panel kit

- Article number: 9070001
Details ▶ www.theben.de

